

STAX – Modular table-top etagere to present items and expand table space



top plate: glass
color: transparent (402)

compact plate: compact laminate
color: ceramic anthracite (402)



detail view:
corner pieces add grip
to glass plate and allow
"X" position

color example 100|402

STAX_ETAGERE (set of 5)

Item No.: 32021

total weight: 29,0 kg (compact laminate)

Compact plates

material: compact laminate, 10 mm

Glass plates

material: glass, 6 mm

STAX_ETAGERE_32_RE (1x)

material: compact laminate, 10 mm

glass, 6 mm

weight: 13,6 kg

STAX_ETAGERE_24_SQ (2x)

material: compact laminate, 10 mm

glass, 6 mm

weight: 8,8 kg

STAX_ETAGERE_16_RO (2x)

material: compact laminate, 10 mm

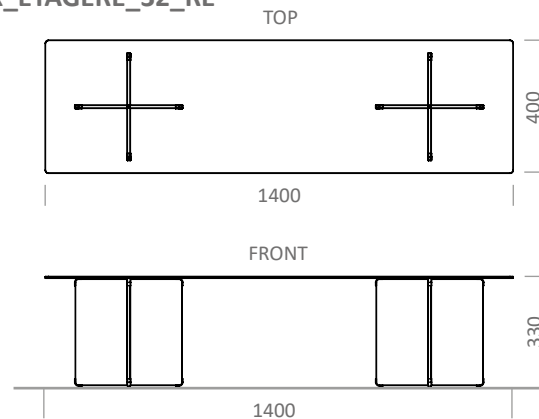
glass, 6 mm

weight: 6,6 kg

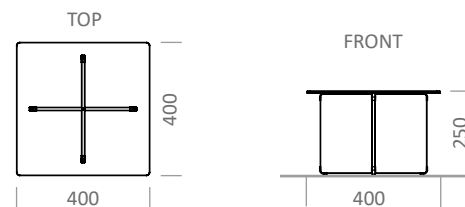
Warranty

1 year

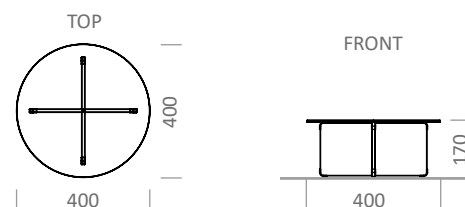
STAX_ETAGERE_32_RE



STAX_ETAGERE_24_SQ



STAX_ETAGERE_16_RO



STAX – Modular table-top etagere to present items and expand table space

VENTA[®]
BY BÜCHIN DESIGN**STAX_ETAGERE_32_RE****Item No.: 32022**

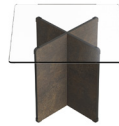
[LxWxH]: 1400 x 400 x 330 mm

total weight: 13,6 kg

**STAX_ETAGERE_32_SQ****Item No.: 32023**

[LxWxH]: 400 x 400 x 330 mm

total weight: 5,1 kg

**STAX_ETAGERE_32_RO****Item No.: 32024**

[LxWxH]: 400 x 400 x 330 mm

total weight: 4,6 kg

**STAX_ETAGERE_24_RE****Item No.: 32025**

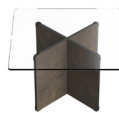
[LxWxH]: 1400 x 400 x 250 mm

total weight: 12,2 kg

**STAX_ETAGERE_24_SQ****Item No.: 32026**

[LxWxH]: 400 x 400 x 250 mm

total weight: 4,4 kg

**STAX_ETAGERE_24_RO****Item No.: 32027**

[LxWxH]: 400 x 400 x 250 mm

total weight: 3,9 kg

**STAX_ETAGERE_16_RE****Item No.: 32028**

[LxWxH]: 1400 x 400 x 170 mm

total weight: 11,0 kg

**STAX_ETAGERE_16_SQ****Item No.: 32029**

[LxWxH]: 400 x 400 x 170 mm

total weight: 3,8 kg

**STAX_ETAGERE_16_RO****Item No.: 32030**

[LxWxH]: 400 x 400 x 170 mm

total weight: 3,3 kg

