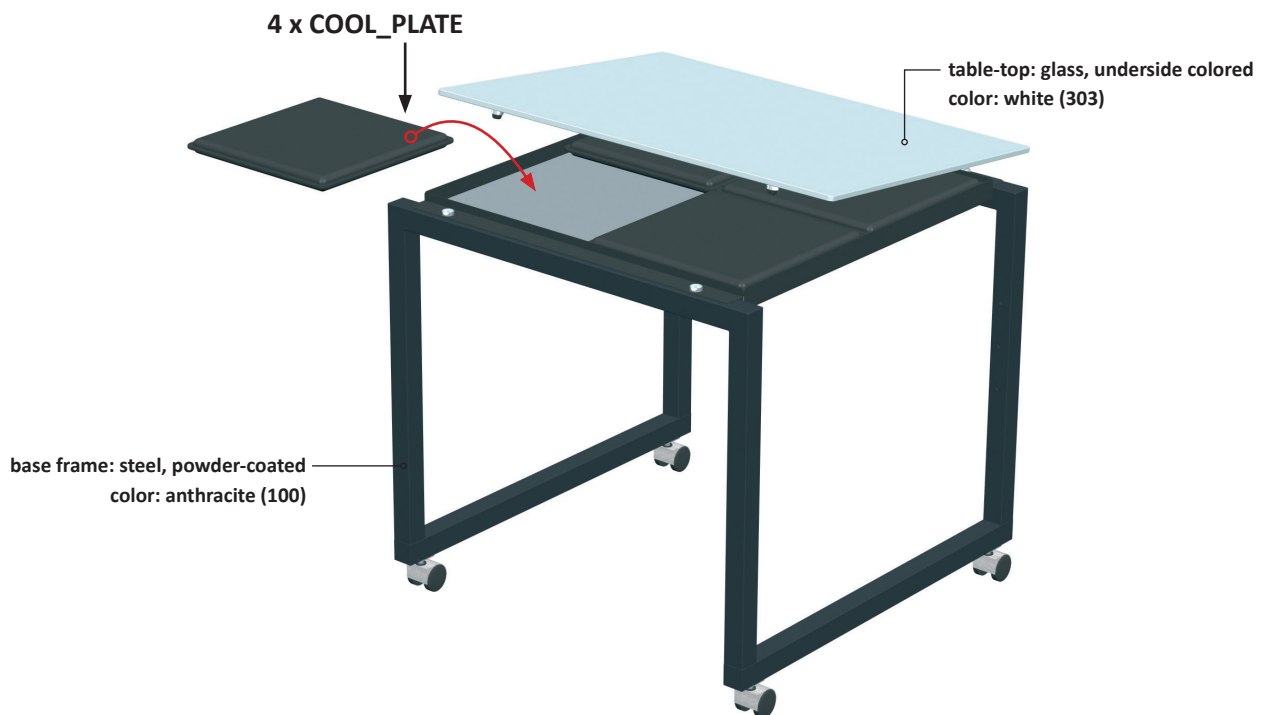


5 hours cooling | 5°-10°C

VENTA[®]
BY BÜCHIN DESIGN

color example 100|303

Item No.: 81007

[LxWxH]: 800 x 800 x 775 mm
total weight: 46,7 kg

Base

material: steel, powder-coated
profile: 40 x 40 mm
weight: 13,6 kg with height compensation
4 x castor, diameter = 65 mm
height adjustable: 855, 935, 1015 mm

Table-top

[LxWxH]: 790 x 790 x 10 mm
material: safety glass, underside colored, 10 mm
weight: 15 kg

Metal case (for COOL_PLATES)

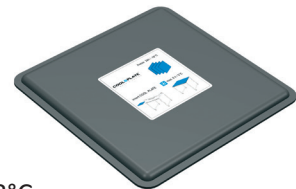
material: steel, powder-coated, 1,5 mm
weight: 5 kg

Warranty

1 year

Item No.: 66003

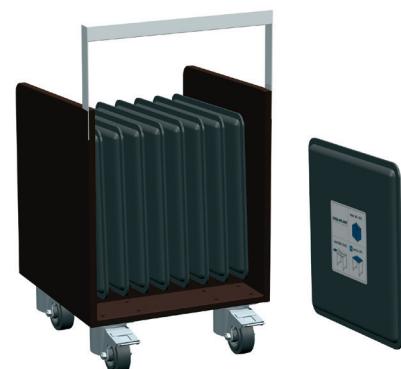
[LxWxH]: 350 x 350 x 25 mm
weight: 2,4 kg

**Handling:**

freeze 12 hours at -18°C
in vertical position
insert COOL_PLATES (horizontal)
usage of max. 5 hours
5°-10°C on the table surface

Item No.: 99014

[LxWxH]: 400 x 400 x 700 mm
weight: 15 kg (full: 34,2 kg)

**Trolley**

option 1
max. 8 plates

Trolley option 2 for storage | transport | freezing

VENTA[®]
BY BÜCHIN DESIGN**Item No.: 99016**

[LxWxH]: 600 x 600 x 935 mm

weight: 34,7 kg (empty)

Trolley option 2.1

each box 8 plates

2 boxes

total: 16 COOL_PLATES

**Item No.: 99017**

[LxWxH]: 600 x 600 x 1320 mm

weight: 46 kg (empty)

Trolley option 2.2

each box 8 plates

3 boxes

total: 24 COOL_PLATES

**Item No.: 99018**

[LxWxH]: 600 x 600 x 1700 mm

weight: 57,3 kg (empty)

Trolley option 2.3

each box 8 plates

4 boxes

total: 32 COOL_PLATES

