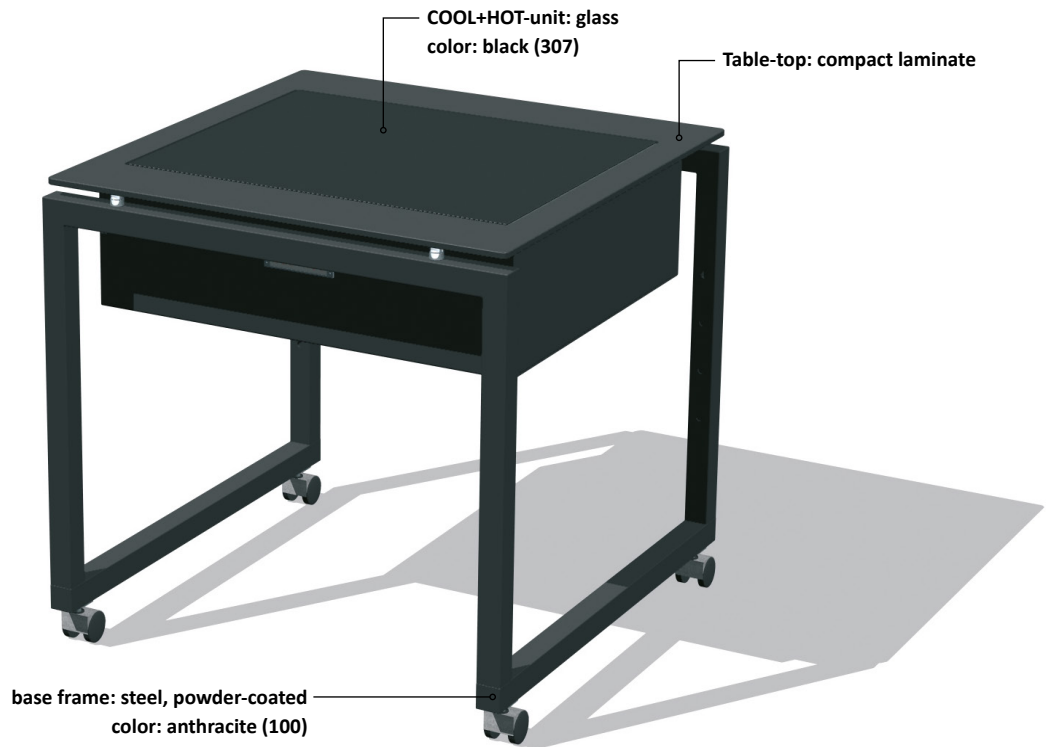


COOL and HOT combined in one table



color example 100|307

Item No.: 81006

[LxWxH]: 800 x 800 x 775 mm
total weight: 60 kg

Base

material: steel, powder-coated
profile: 40 x 40 mm
weight: 13,6 kg with height compensation
4 x castor, diameter = 65 mm
height adjustable: 855, 935, 1015 mm

Table-top with cutout

[LxWxH]: 790 x 790 x 10 mm
material: compact laminate, 10 mm
weight: 4 kg

Metal housing

material: metal box, powder-coated, 1,5 mm
weight: 12 kg

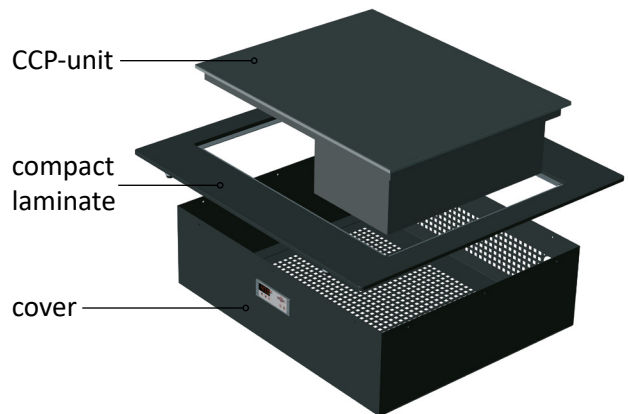
COOL+HOT-unit with glass top

[LxWxH]: 660 x 530 x 190 mm | 2/1 GN
power supply: 230 V
heat output: 1400 W, cooling output: 140 W
coolant: R600a
weight: 26 kg

Warranty

1 year

Explosion view | main parts



Dismantling cover for service



Benefits



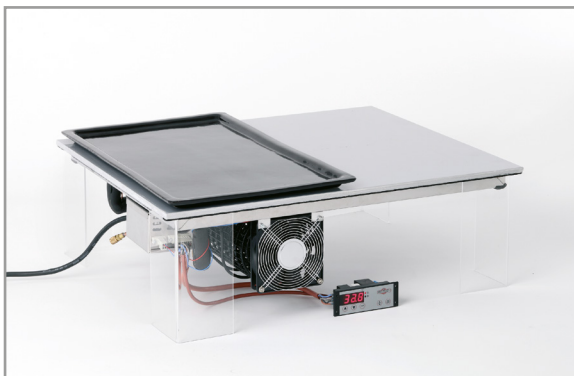
temperature range: -3°C/+120°C
 HOT-mode keeps food warm, **no cooking!**

SIZE: 2/1 GN
 660 x 530 mm
 glass surface

maximum load: 80 kg



CCP (comfort-combi-plate) 2/1 GN
 [LxWxH]: 660 x 530 x 190 mm



Touch panel on the front of the table

