

STAGE – the modular buffet system



color example 100|402

Item No.: 81001

[LxWxH]: 1960 x 800 x 935 mm

total weight: 166,5 kg (glass)

total weight: 124,5 kg (compact laminate)

Base

material: steel, powder-coated

profile: 40 x 40 mm

with height compensation

4 x 4 castor, diameter = 65 mm

Set of 4 tables:

1 x STAGE_80_L (Item No.: 81002)

1 x STAGE_80_M (Item No.: 81003)

2 x STAGE_80_XS (Item No.: 81004)

Height adjustable-system

80_L: 935, 1015, 1095, 1175 mm

80_M: 855, 935, 1015, 1095 mm

80_XS: 775, 855, 935, 1015 mm

Table-top

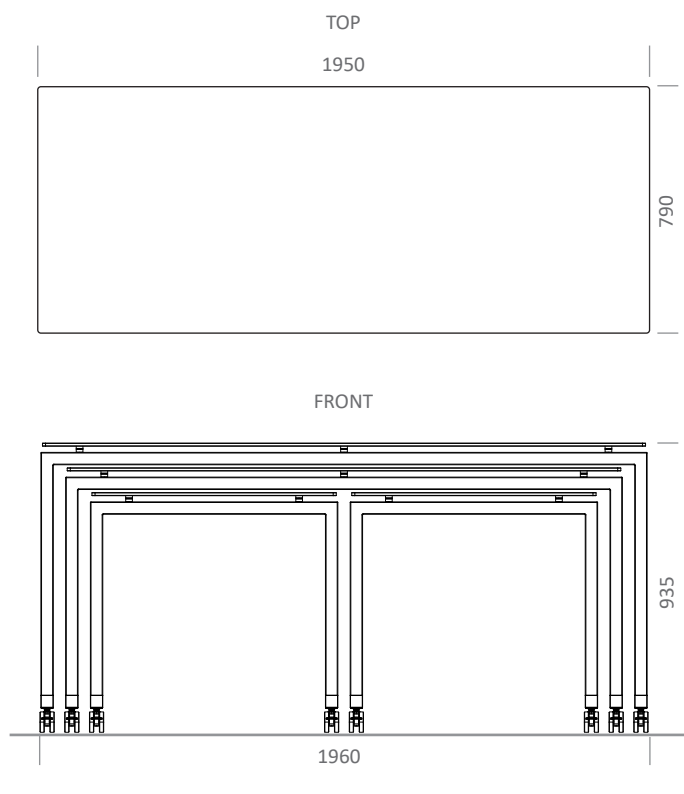
80_L: 1950 x 790 x 10 mm (21 - 38 kg)

80_M: 1790 x 790 x 10 mm (19 - 35 kg)

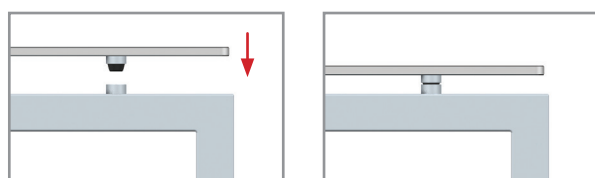
80_XS: 790 x 790 x 10 mm (8,8 - 15 kg)

Warranty

1 year



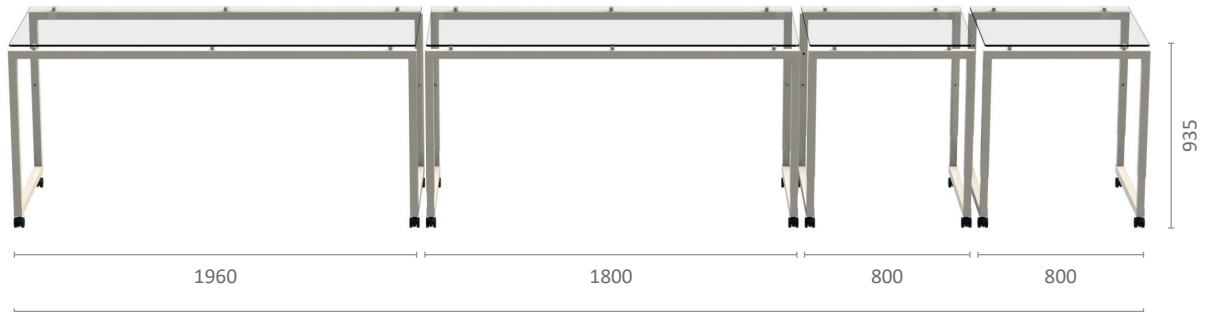
connection between table-top and base



STAGE – the modular buffet system

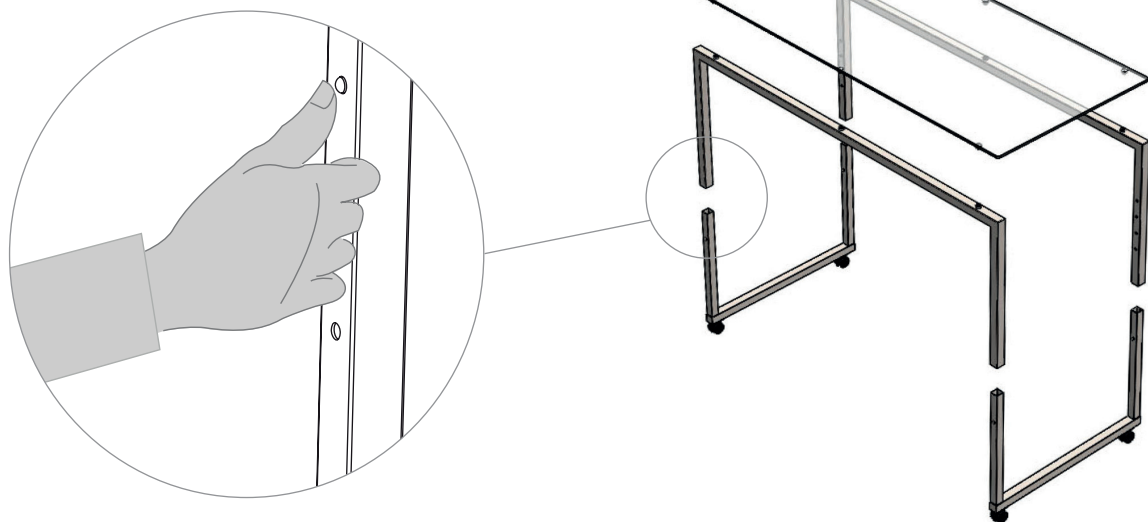


all tables in a row and adjusted at the same height



total buffet length: 5360 mm

explosion view | main parts



Item No.: 99106

[LxWxH]: 2038 x 870 x 670 mm

Trolley for 1 x STAGE_80 (set of 4 tables)

weight (empty): 75 kg

weight (full): 194,8 kg

