

STAGE – The modular buffet system



color example 100|402

Item No.: 20142

[LxWxH]: 1600 x 800 x 935 mm
total weight: 46,6 kg

Base

material: steel, powder-coated
profile: 40 x 40 mm
weight: 15,2 kg with height compensation
4 x castor, diameter = 65 mm
height adjustable: 1015, 1095, 1175 mm

Table-top

[LxWxH]: 790 x 790 x 10 mm
material: compact laminate (8,8 kg)

Table frame ELEMENTS

[LxWxH]: 800 x 800 x 66 mm
total weight: 7,7 kg

Ice well ELEMENTS

[LxWxH]: 570 x 366 x 261 mm
total weight: 3 kg

Compact top ice well ELEMENTS

[LxWxH]: 796 x 396 x 10 mm
total weight: 4,6 kg

Compact top ELEMENTS

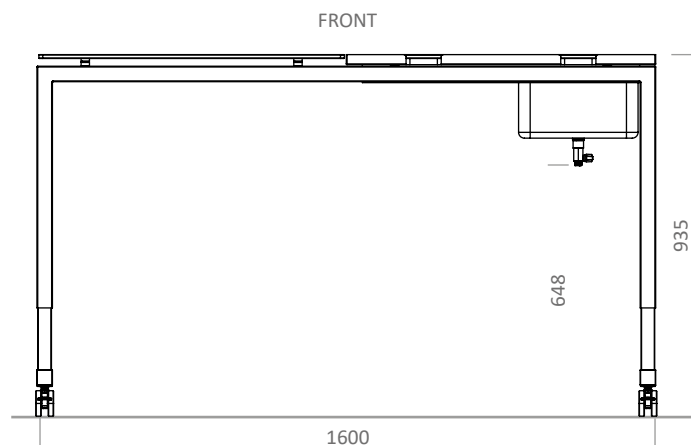
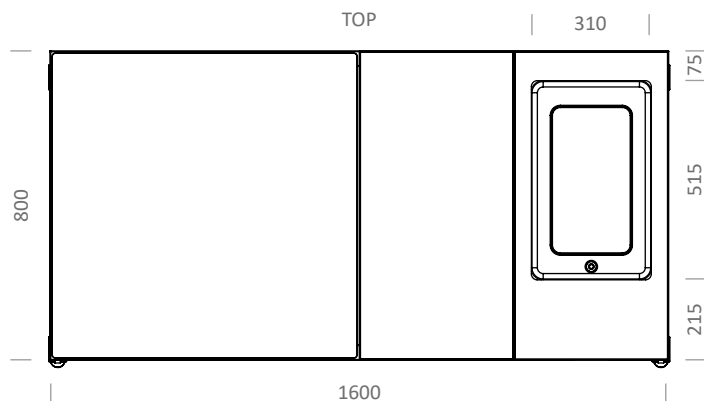
[LxWxH]: 796 x 396 x 10 mm
total weight: 4,5 kg

2 x magnetic cable duct

[LxWxH]: 770 x 35 x 21 mm
weight: 2 x 1,0 kg
material: steel, 1 mm, bended,
powder-coated anthracite (100)

Warranty

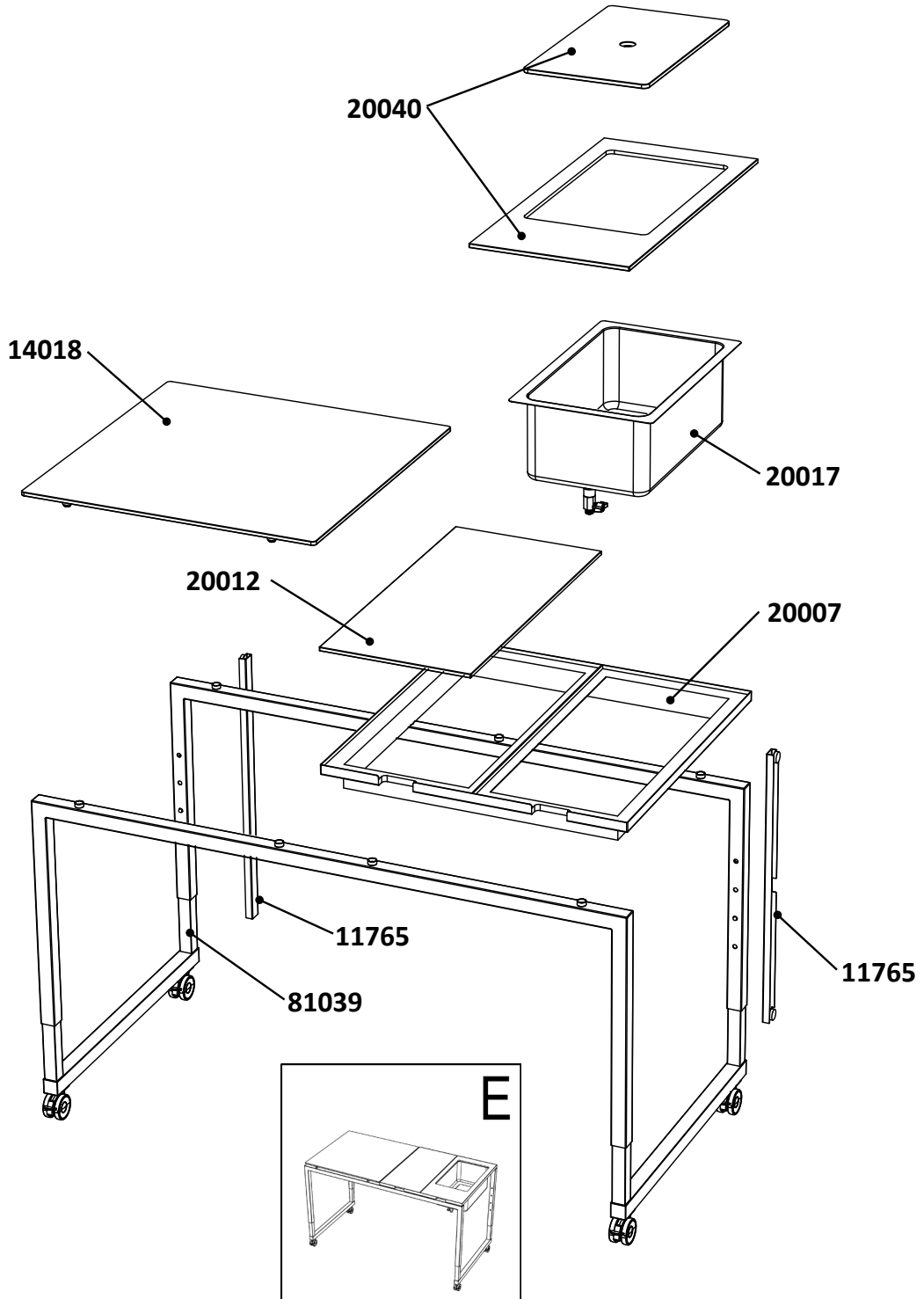
1 year



STAGE – The modular buffet system



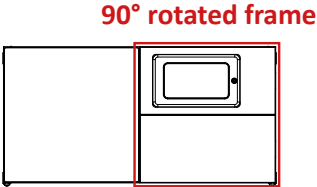
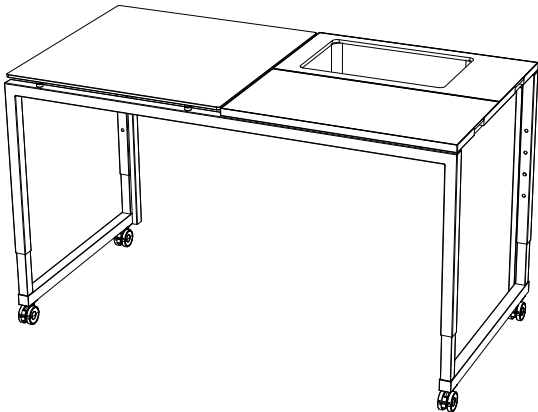
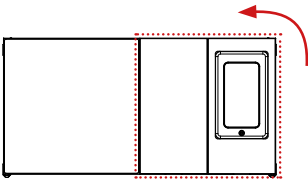
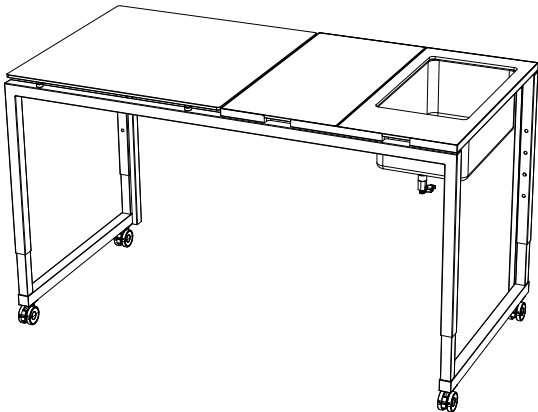
explosion view

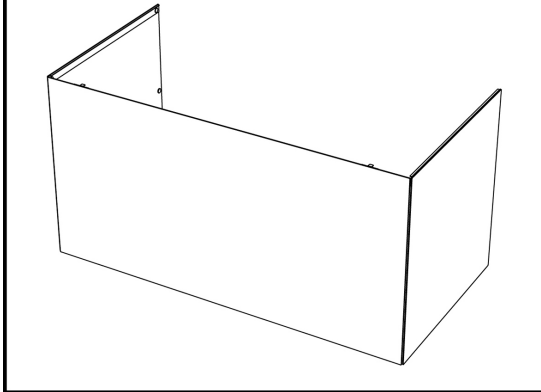
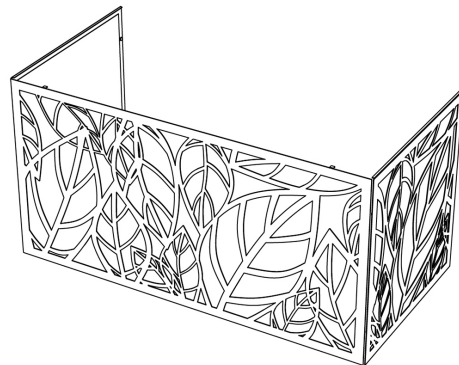
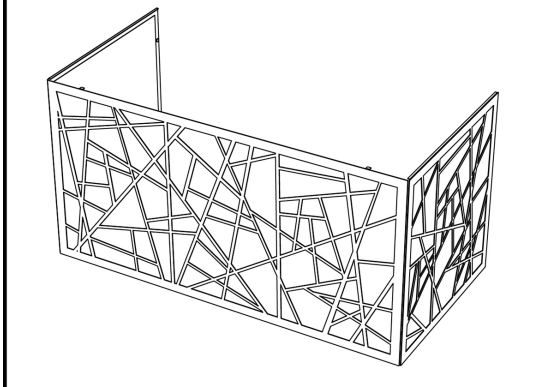
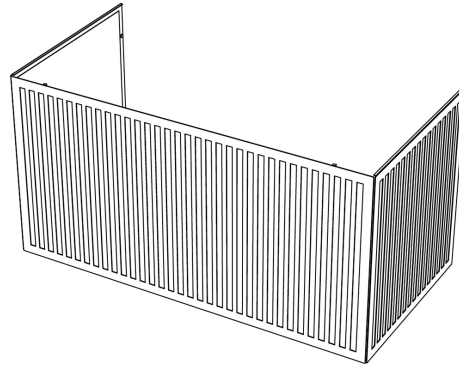


STAGE – The modular buffet system



2 x compartments can be filled with an individual selection of items
optional positions for items by rotating the frame

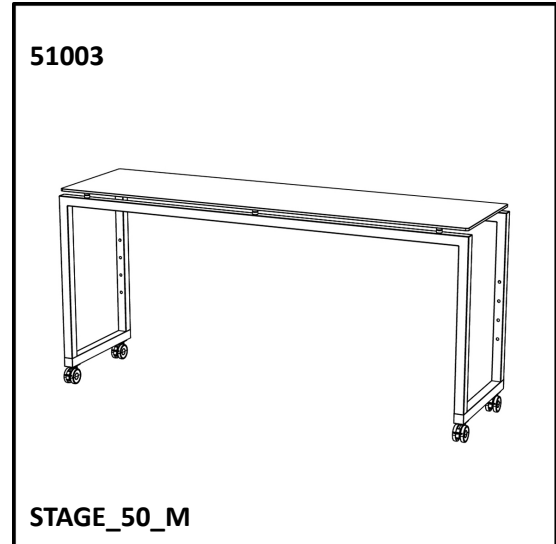
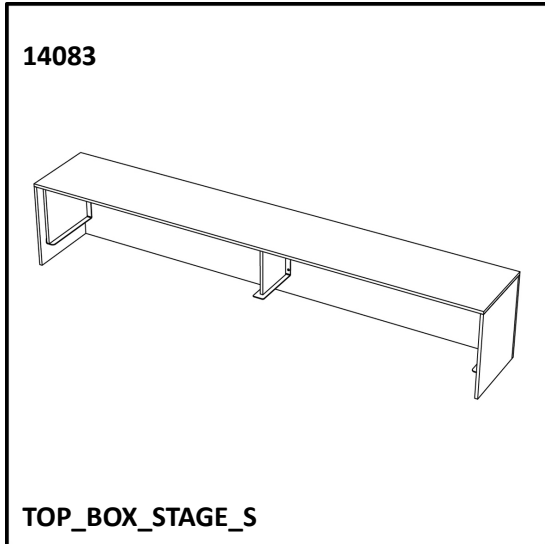


STAGE – The modular buffet system**VENTA**
BY BÜCHIN DESIGNselection / blinds
not included**38203**
BLINDS_STAGE_80_S_COMPACT_PANEL1 x 38046 FRONTBLIND_STAGE_S
2 x 38048 SIDEBLIND_STAGE_80**38223**
BLINDS_STAGE_80_S_LEAF_COV.1 x 38025 FRONTBLIND_STAGE_S_LEAF_COV.
2 x 38027 SIDEBLIND_STAGE_80_LEAF_COV.**38233**
BLINDS_STAGE_80_S_BAMBOO_COV.1 x 38039 FRONTBLIND_STAGE_S_BAMBOO_COV.
2 x 38041 SIDEBLIND_STAGE_80_BAMBOO_COV.**38243**
BLINDS_STAGE_80_S_STRIPES_COV.1 x 38065 FRONTBLIND_STAGE_S_STRIPES_COV.
2 x 38067 SIDEBLIND_STAGE_80_STRIPES_COV.

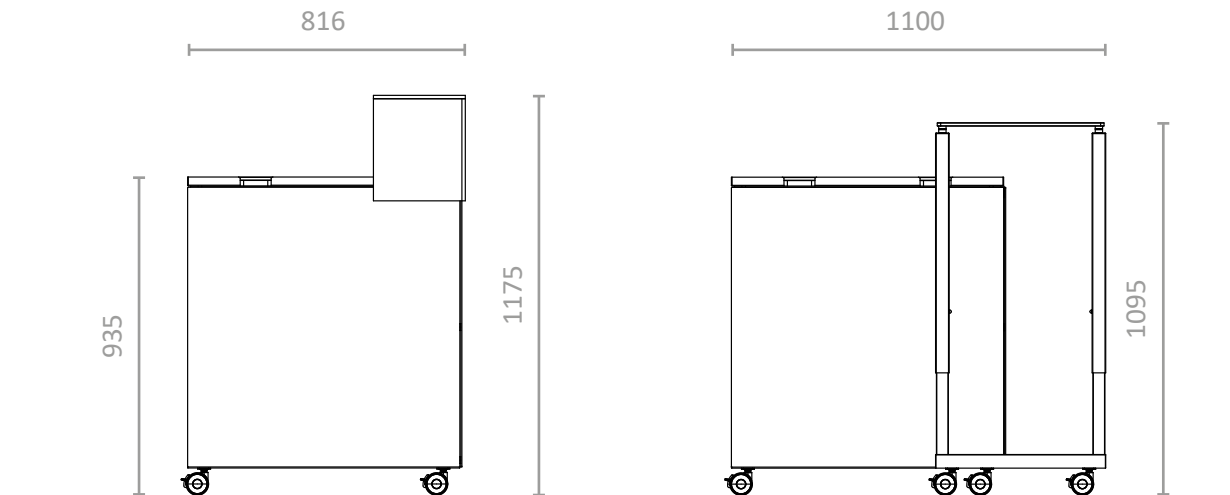
STAGE – The modular buffet system



selection / top box or table
not included



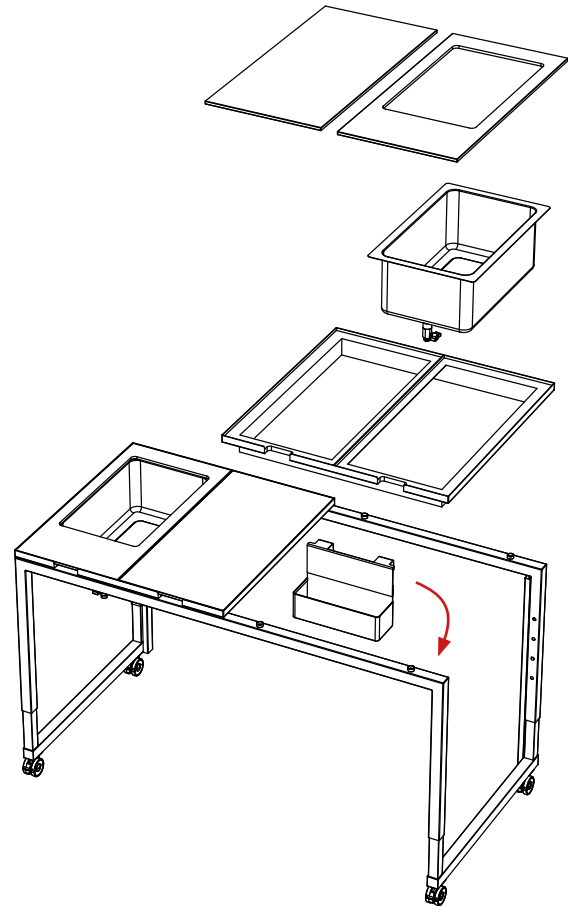
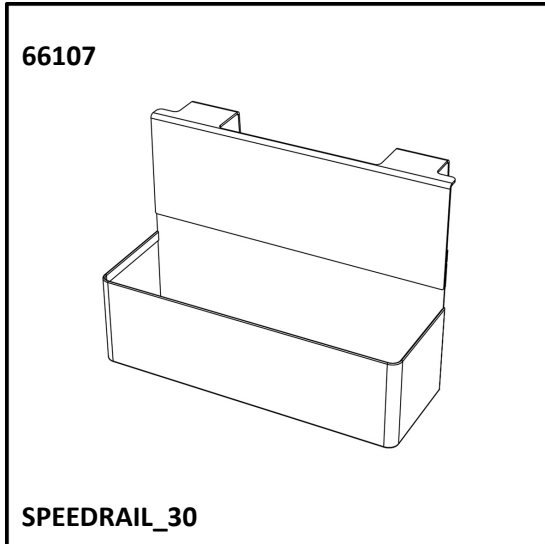
50003 / castor d=50mm
51003 / castor d=65mm (shown above)
52003 / castor d=75mm



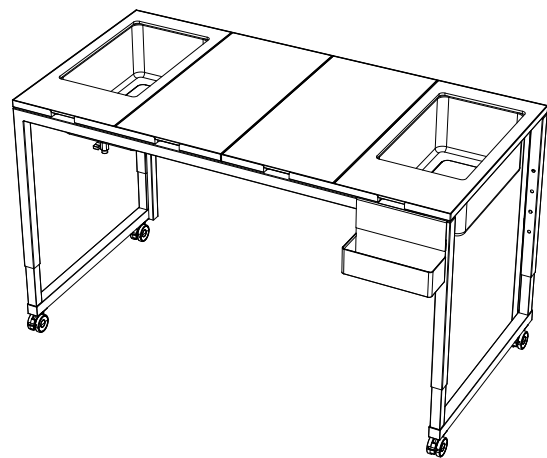
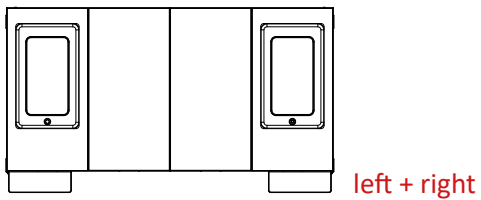
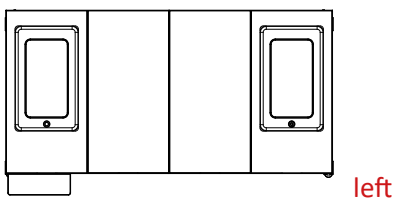
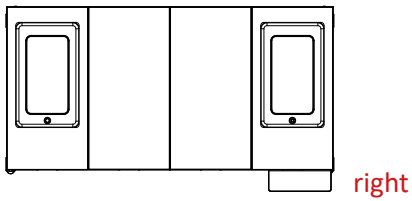
STAGE – The modular buffet system



selection / additional equipment
not included



options to place the SPEEDRAIL_30

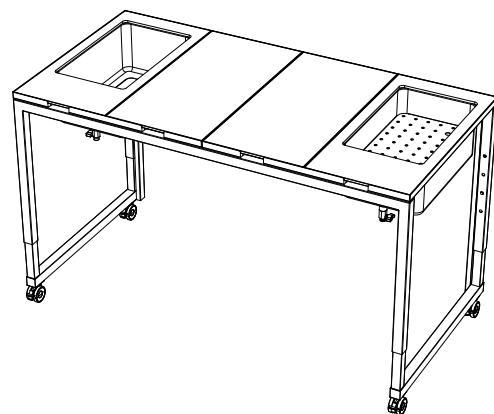
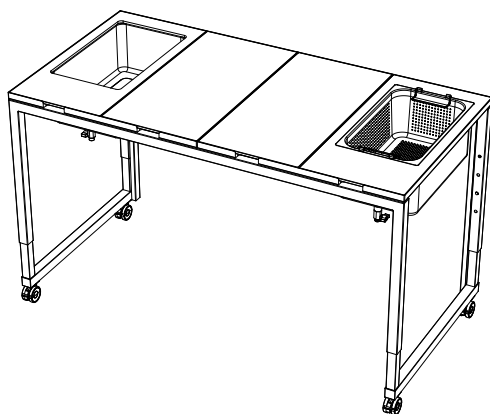
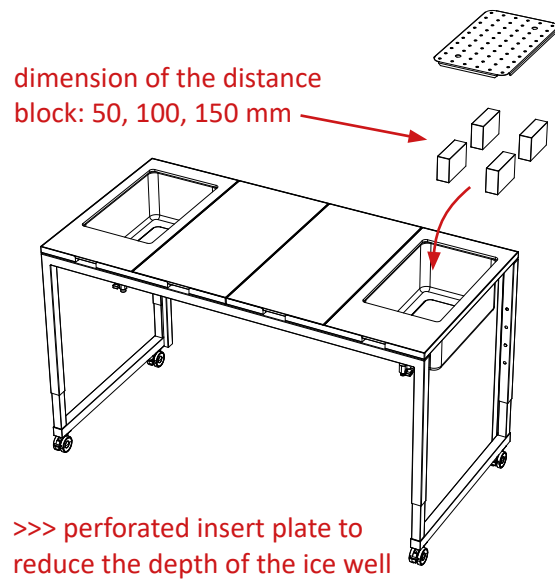
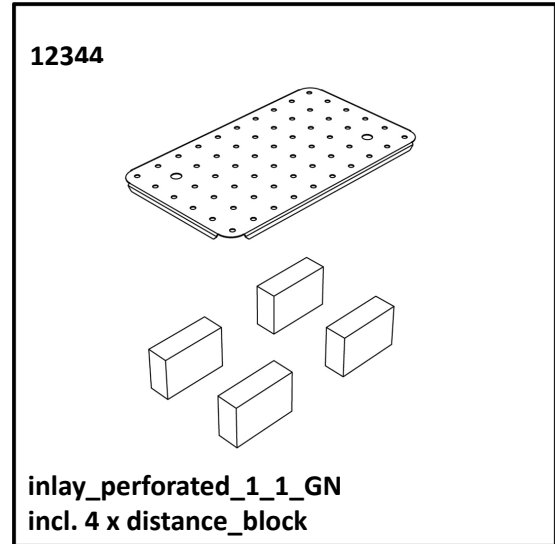


Shown in pictures above:
20143_STAGE_80_S_ELEMENTS_4_BAR_2

STAGE – The modular buffet system



selection / additional equipment
not included

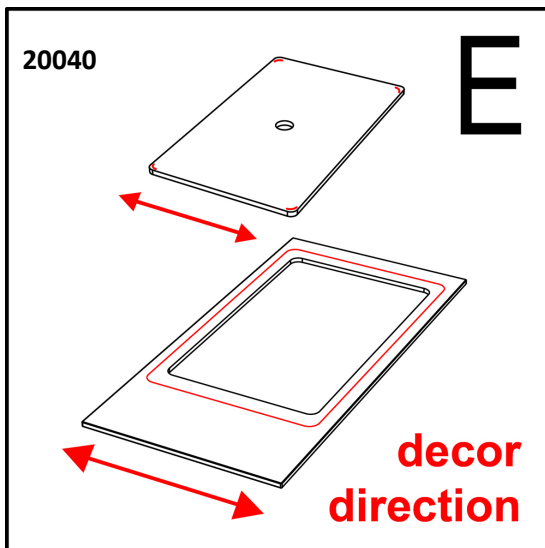
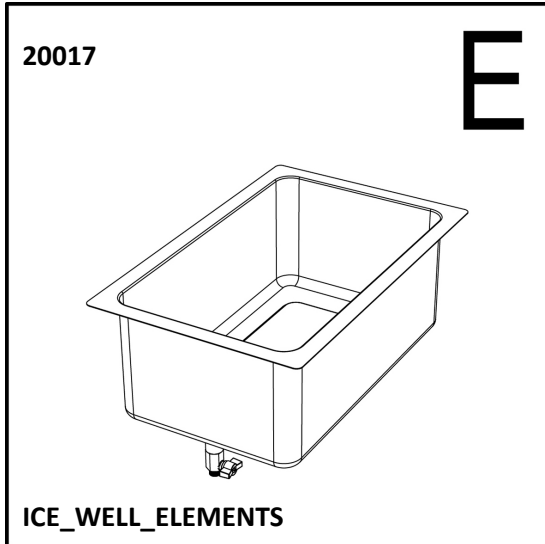


Shown in pictures above:
20143_STAGE_80_S_ELEMENTS_4_BAR_2

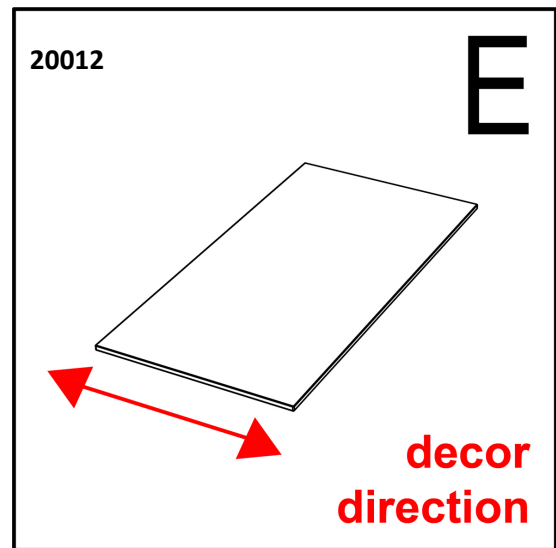
STAGE – The modular buffet system



selection / additional equipment
not included



COMPACT_TABLE_TOP_ICE_WELL

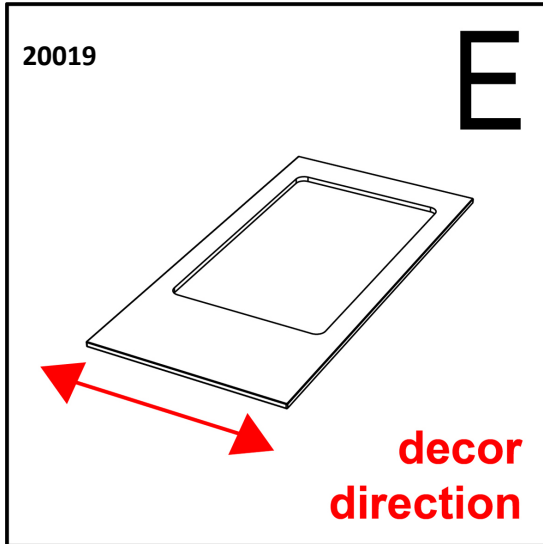


COMPACT_TABLE_TOP

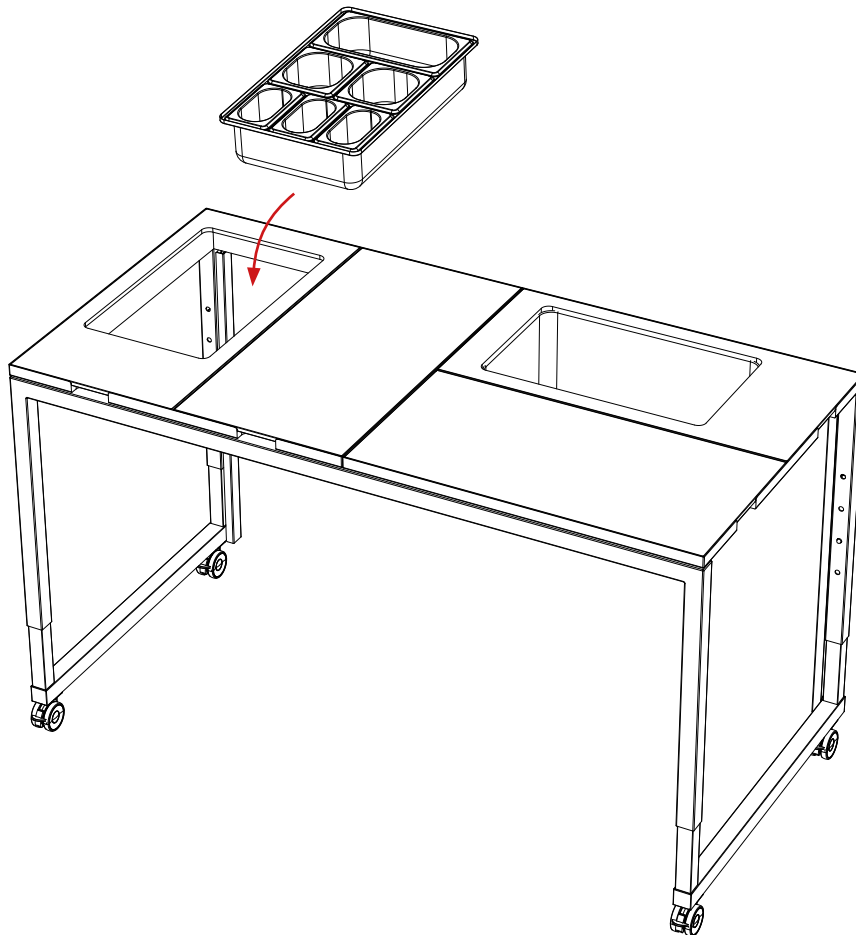
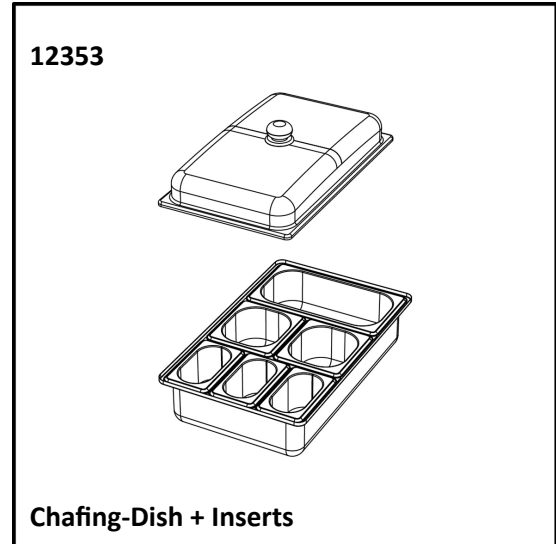
STAGE – The modular buffet system



selection / additional equipment
not included



COMPACT_TABLE_TOP_1_1_GN_CUTOUT

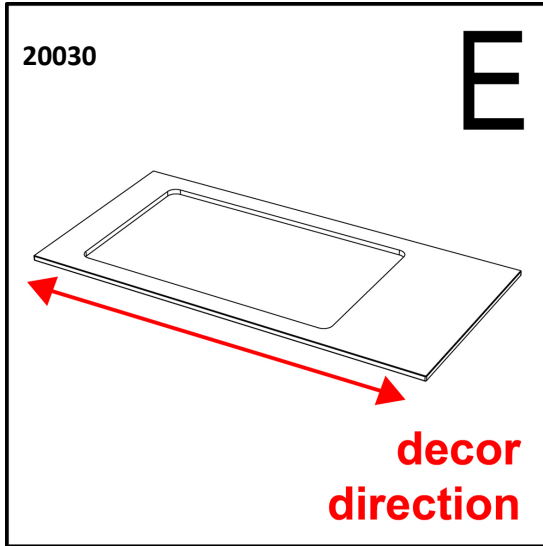


Shown in picture above:
20143_STAGE_80_S_ELEMENTS_4_BAR_2

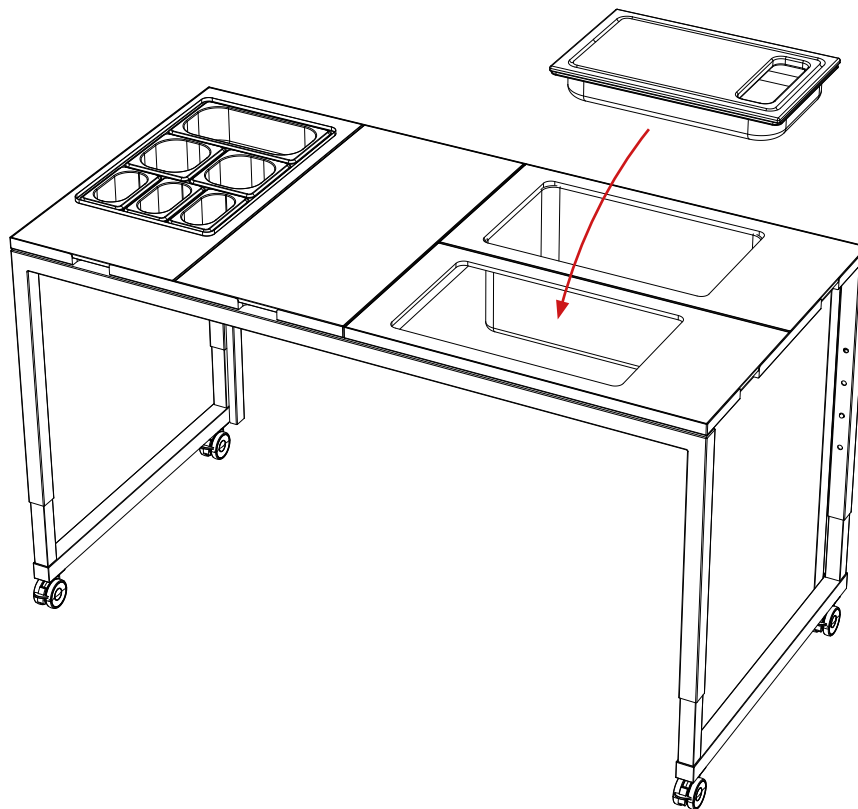
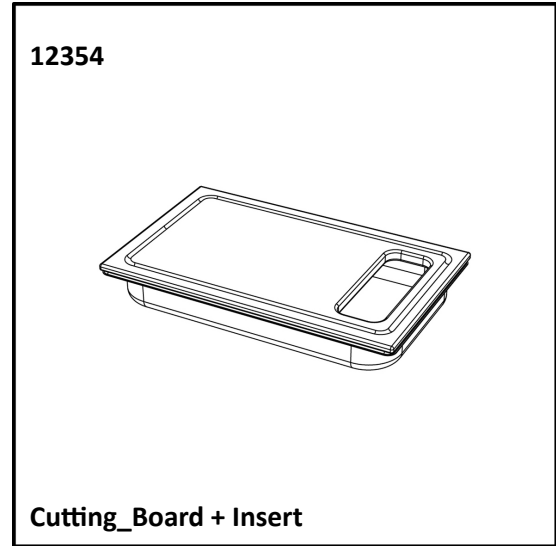
STAGE – The modular buffet system



selection / additional equipment
not included



COMPACT_TABLE_TOP_1_1_GN_CUTOUT



Shown in picture above:
20143_STAGE_80_S_ELEMENTS_4_BAR_2

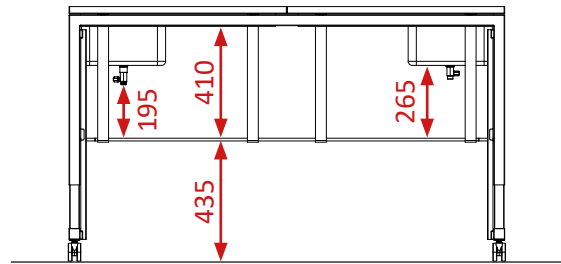
STAGE – The modular buffet system



selection / additional equipment
not included

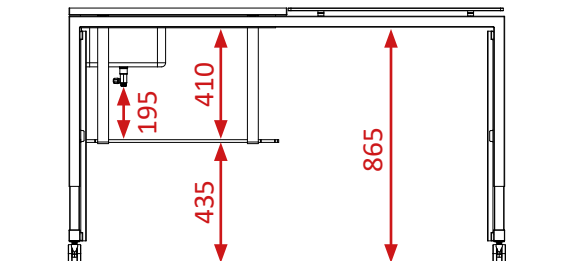
80086 **usable height: 41 cm**

SHELF_47_STAGE_80_S



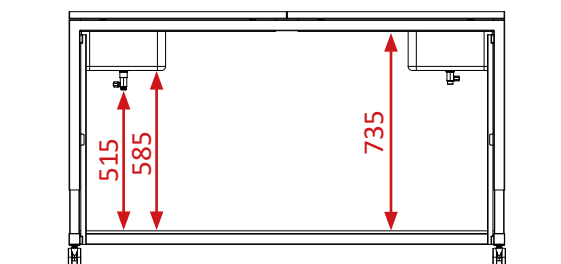
80087 **usable height: 41 cm**

SHELF_47_STAGE_80_XS



80071

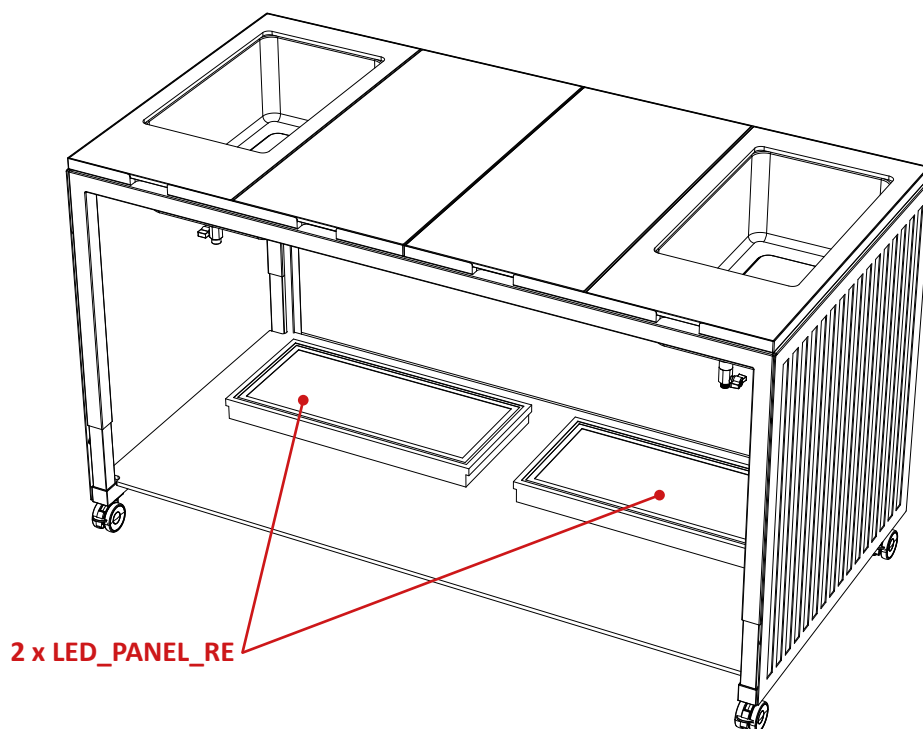
SHELF_LOW_STAGE_80_S



STAGE – The modular buffet system



selection / additional equipment
not included



Shown in picture above:
20143_STAGE_80_S_ELEMENTS_4_BAR_2

STAGE – The modular buffet system



selection / additional equipment
not included



34101

STAGE_50_BACKBAR_160_5

34001 / castor d=50mm

34101 / castor d=65mm (shown above)

34201 / castor d=75mm



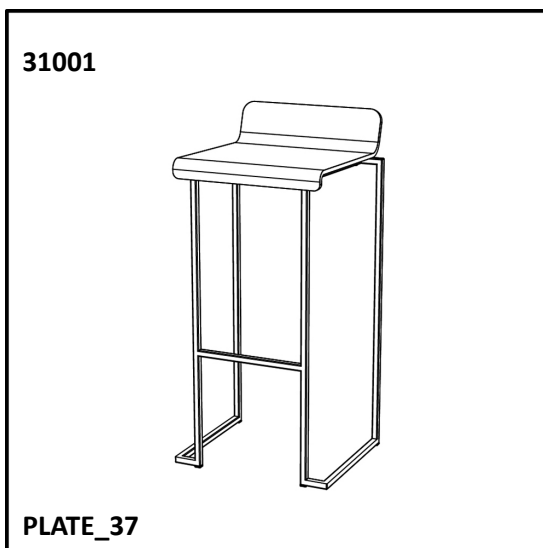
34102

STAGE_50_BACKBAR_160_4

34002 / castor d=50mm

34102 / castor d=65mm (shown above)

34202 / castor d=75mm



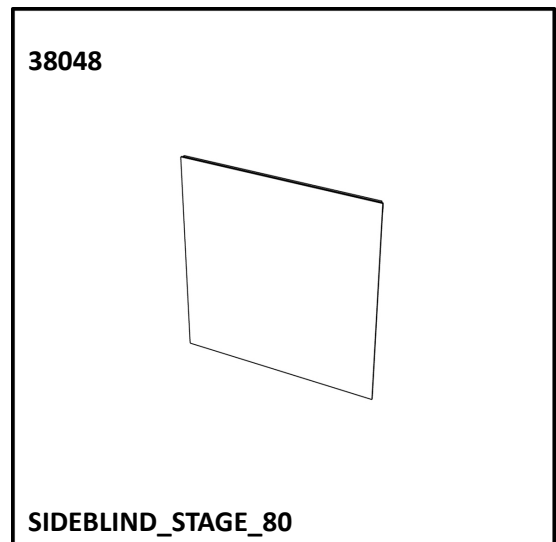
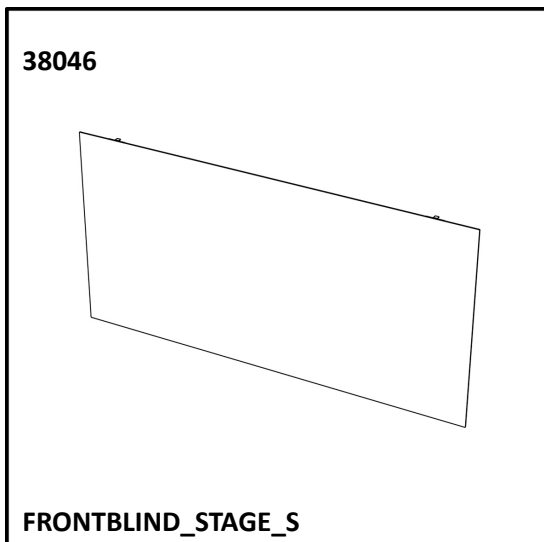
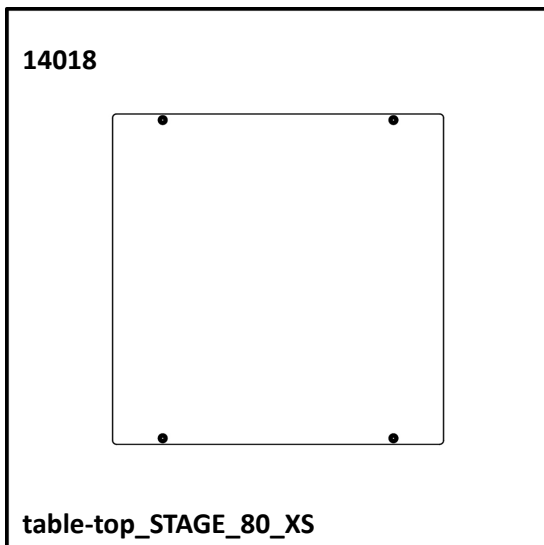
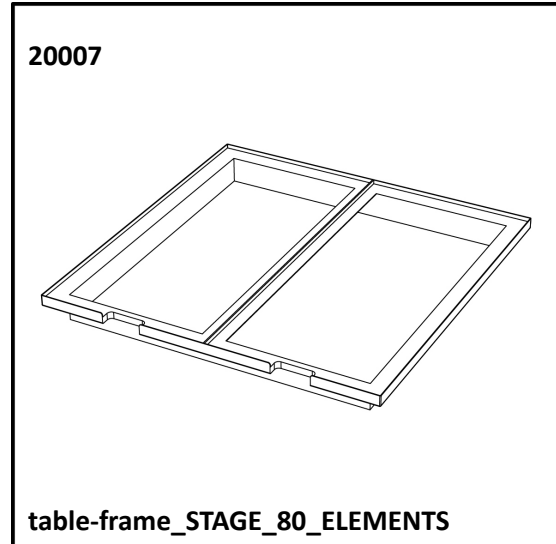
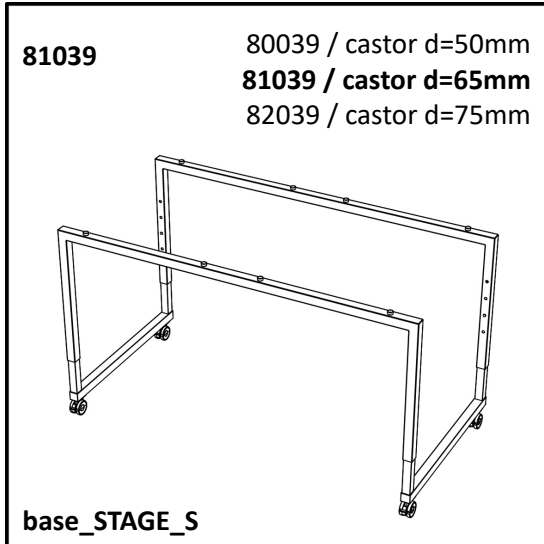
31001

PLATE_37

STAGE – The modular buffet system



selection / additional equipment
not included

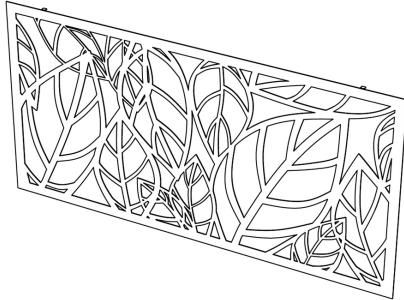


STAGE – The modular buffet system



selection / additional equipment
not included

38025



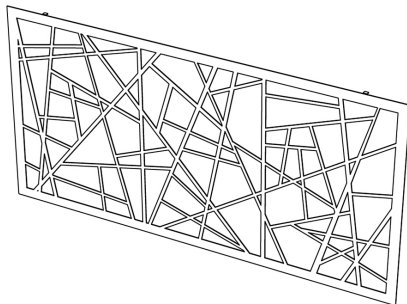
FRONTBLIND_STAGE_S_LEAF_COV.

38027



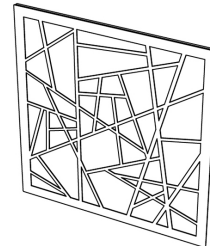
SIDEBLIND_STAGE_80_LEAF_COV.

38039



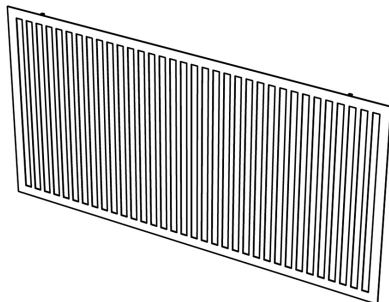
FRONTBLIND_STAGE_S_BAMBOO_COV.

38041



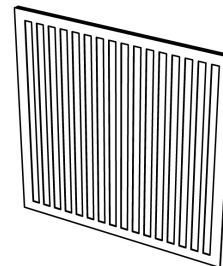
SIDEBLIND_STAGE_80_BAMBOO_COV.

38065



FRONTBLIND_STAGE_S_STRIPES_COV.

38067



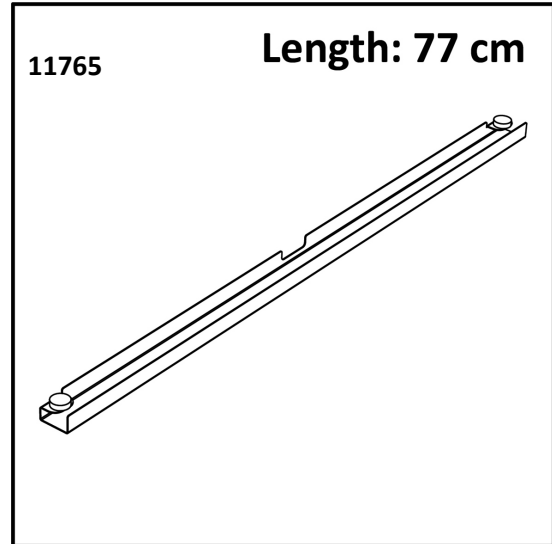
SIDEBLIND_STAGE_80_STRIPES_COV.

STAGE – The modular buffet system

VENTA[®]
BY BÜCHIN DESIGNselection / additional equipment
not included

magnetic_cable_holder+plugbar_5m_type_F

11060 / magnetic_plugbar_5m_plug_type_F
11061 / magnetic_plugbar_5m_plug_type_G
11062 / magnetic_plugbar_5m_plug_type_J
11063 / magnetic_plugbar_5m_plug_type_I
11077 / magnetic_plugbar_5m_plug_type_M



magnetic_cable_duct_770_mm

11765 / magnetic_cable_duct_770_mm
11766 / magnetic_cable_duct_610_mm
11767 / magnetic_cable_duct_400_mm