

PLATE_STATION – Perfectly integrated plate warmer for the buffet line



color example 100|402|402

Item No.: 51027

[LxWxH]: 800 x 500 x 935 mm
total weight: 31 kg

Base

steel, powder-coated anthracite
profile: 40 x 40 mm,
weight: 12,6 kg

Mounting frame

material: steel, powder-coated
profile: 40 x 40 mm
4 x castor, diameter = 65 mm
weight: 4 kg

Table-top

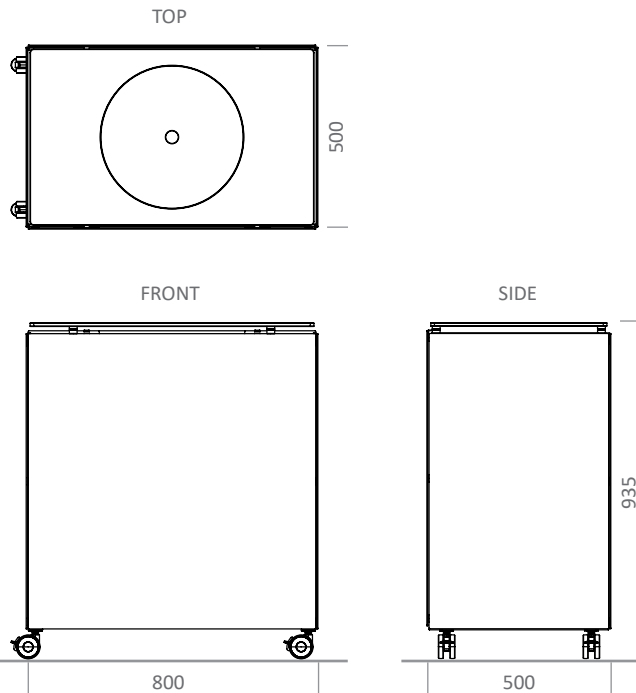
[LxWxH]: 790 x 490 x 10 mm
material: compact laminate
weight: 5,6 kg
lid diameter: 400 mm

FRONT- and SIDEBLINDS

material: compact laminate
thickness: 3 mm
decor: ceramic anthracite
weight: 8,8 kg

Warranty

1 year



Separate item / not included

Item No.: 11039

manufacturer: RIEBER
model: RRV-H1

weight:
40 kg [empty]
115 kg [full max.]



PLATE_STATION – Perfectly integrated plate warmer for the buffet line



Explosion view / delivery content:

