

20,6 cm deep for cooling bottles with ice cubes

VENTA<sup>®</sup>  
BY BÜCHIN DESIGN



color example 100|402

**Item No.: 51049**

[LxWxH]: 800 x 500 x 775 mm  
height adjustable: 855, 935, 1015 mm  
weight: 30 kg

**Base**

material: steel, powder-coated  
profile: 40 x 40 mm  
4 x castor, diameter = 65 mm  
weight: 12,1 kg

**Table-top unit (1/1 GN)**

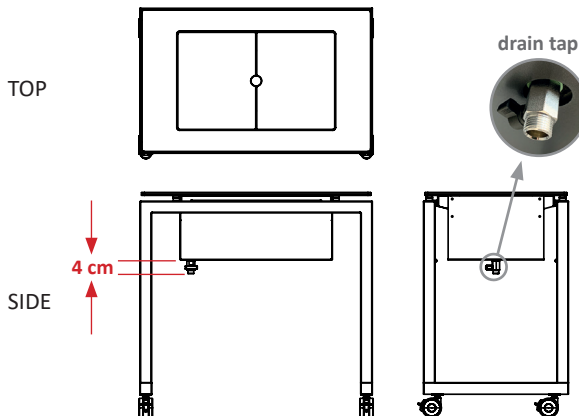
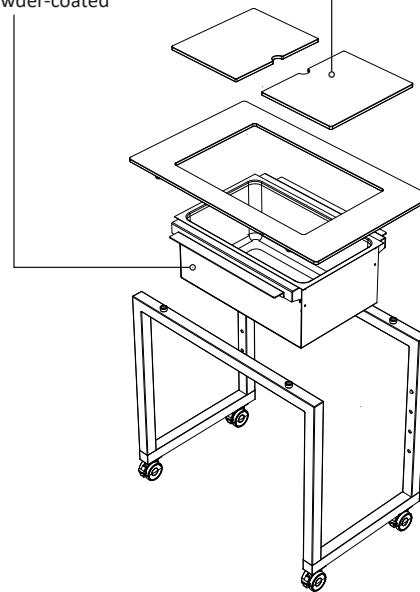
[LxWxH]: 790 x 490 x 260 mm  
material (table-top): compact panel, 10 mm  
material (metal housing): steel, 1,5 mm,  
powder-coating, total weight: 17,4 kg

**Warranty**

1 year

table-top unit ICE\_WELL,  
metal housing, steel,  
powder-coated

1 x small inlay table-top  
to close the opening



**additional equipment, not included, but recommended to use**

**Item No.: 12309**

[LxWxH]: 530 x 325 x 190 mm  
1/1 GN container, perforated  
material: stainless steel, polished  
weight: 1,9 kg



**additional equipment, not included, but recommended to use**

**Item No.: 12344**

[LxWxH]: 508 x 302 x 51,5 mm  
material: stainless steel, polished  
height adjustable: 101,5, 151,5 mm  
total weight: 4,76 kg

