

Buffet table prepared to insert CHAFING-DISH unit



color example 100|402

Item No.: 51043

[LxWxH]: 800 x 500 x 775 mm
total weight: 27 kg

Base

material: steel, powder-coated
profile: 40 x 40 mm
weight: 11,6 kg with height compensation
4 x castor, diameter = 65 mm
height adjustable: 855, 935, 1015 mm

Table-top

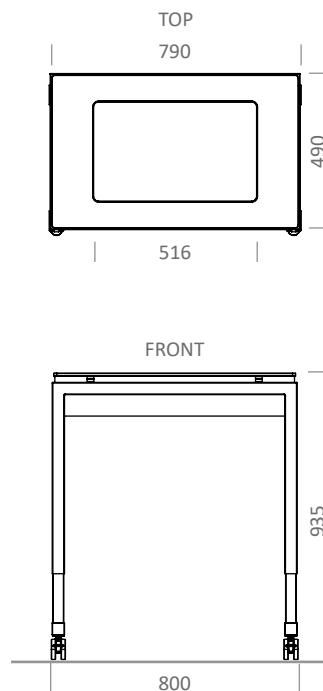
[LxWxH]: 1790 x 490 x 140 mm
material: compact laminate, 10 mm
weight: 15,4 kg
cutouts: 1
cutout size: 516 x 312 mm

Additional items

1 x plugbar (available for every region)
2 x 11765_magnetic_cable_duct_770mm

Warranty

1 year



connection between table-top and base

