

Sneeze-guard for STAGE tables



color example 100

SNEEZEGUARD_TRAVERSE_L

Item No.: 66080

[LxWxH]: 1960 x 400 x 620 mm

weight: 16,2 kg

opening height: 290 mm

Metal frames

material: stainless steel colored

weight: 3,8 kg

Glass shield

material: glass plate, safety glass, 8 mm

weight: 12,3 kg

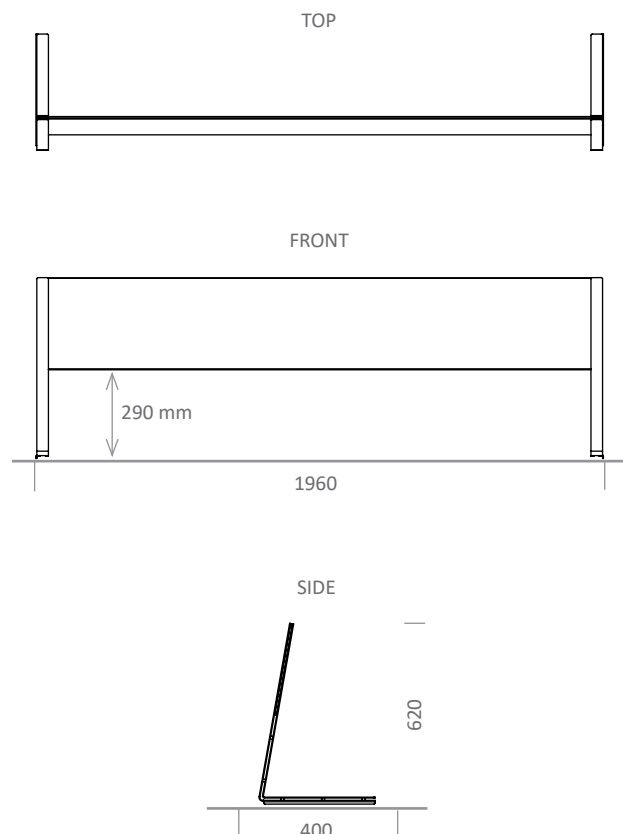
inclination: 80°

Suitable VENTA products

Item No.: 51002_STAGE_50_L

Warranty

1 year



SneezeGuard for STAGE tables

VENTA[®]
BY BÜCHIN DESIGN**SNEEZEGUARD_TRAVERSE_M****Item No.: 66081**

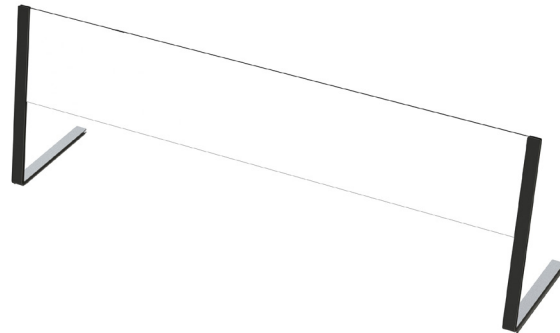
[LxWxH]: 1800 x 400 x 620 mm

total weight: 15,2 kg

Suitable VENTA products

Item No.: 51003_STAGE_50_M

Item No.: 51042_STAGE_50_M_CHAFING-DISH_2

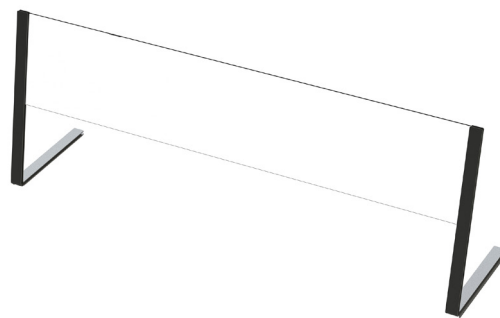
**SNEEZEGUARD_TRAVERSE_S_164****Item No.: 66082**

[LxWxH]: 1640 x 400 x 620 mm

total weight: 14,7 kg

Suitable VENTA products

Item No.: 51017_STAGE_50_S_164

**SNEEZEGUARD_TRAVERSE_S****Item No.: 66083**

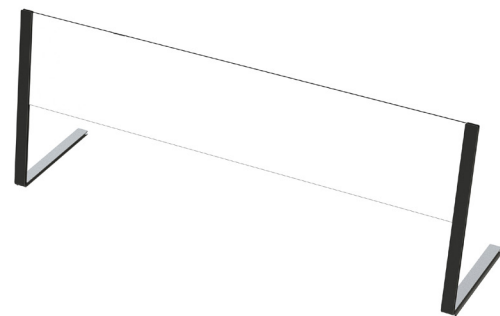
[LxWxH]: 1600 x 400 x 620 mm

total weight: 14,2 kg

Suitable VENTA products

Item No.: 20104_STAGE_50_S_ELEMENTS_2

Item No.: 20105_STAGE_50_S_ELEMENTS_1

**SNEEZEGUARD_TRAVERSE_XS****Item No.: 66084**

[LxWxH]: 800 x 400 x 620 mm

total weight: 9 kg

Suitable VENTA products

Item No.: 20106_STAGE_50_XS_ELEMENTS_1

Item No.: 20131_STAGE_80_XS_50_ELEMENTS_1

Item No.: 51004_STAGE_50_XS

Item No.: 51043_STAGE_50_XS_CHAFING-DISH_1

