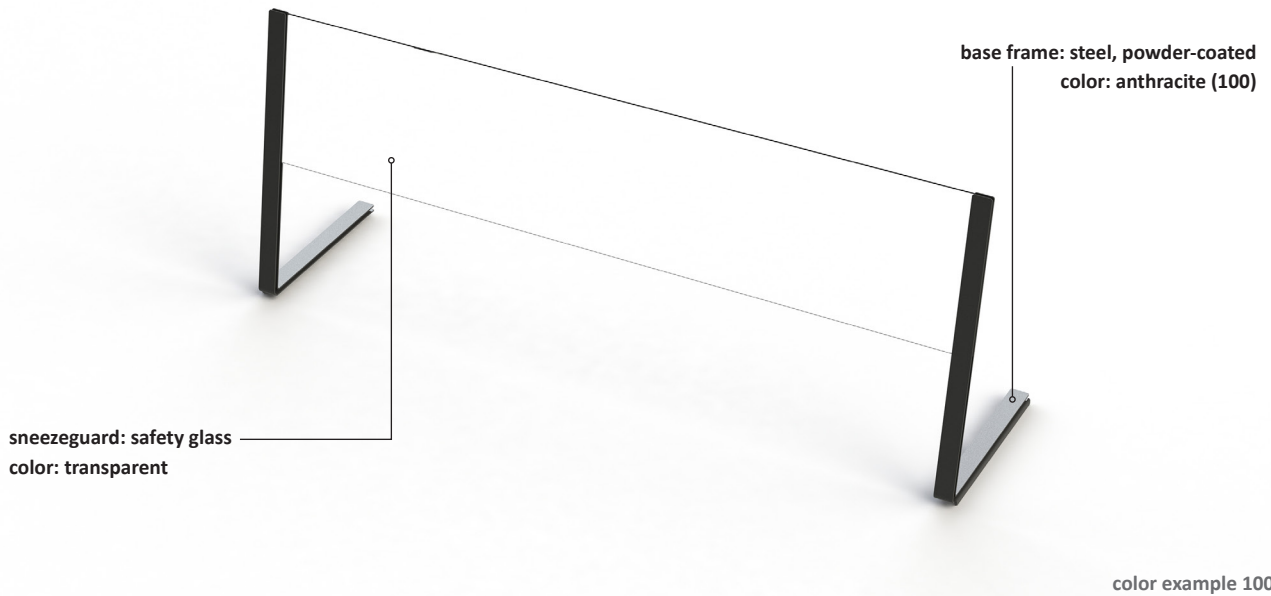


SneezeGuard for ELEMENTS tables



SNEEZEGUARD_TRAVERSE_S_ELEMENTS

Item No.: 66089

[LxWxH]: 1606 x 400 x 620 mm

weight: 14,2 kg

opening height: 290 mm

Metal frames

material: stainless steel colored

weight: 3 kg

Glass shield

material: glass plate, safety glass, 8 mm

weight: 11,2 kg

inclination: 80°

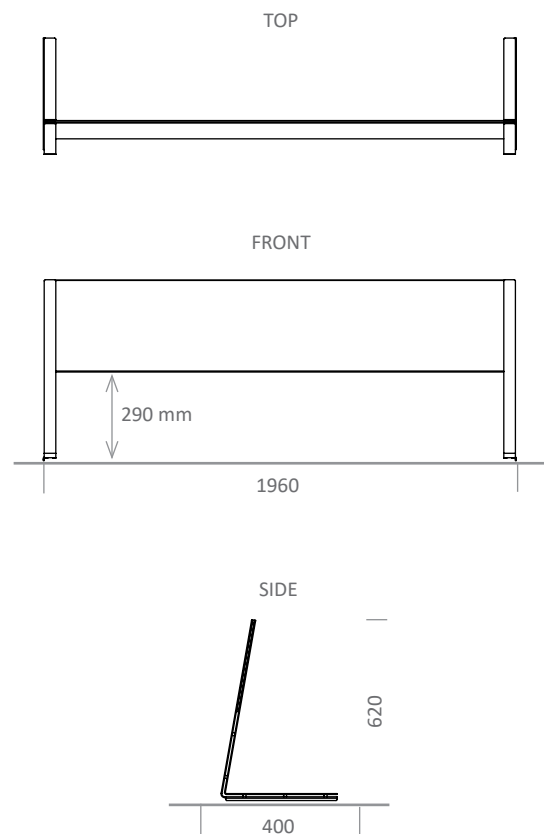
Suitable VENTA products

Item No.: 20104_STAGE_50_S_ELEMENTS_2

Item No.: 20105_STAGE_50_S_ELEMENTS_1

Warranty

1 year



Sneeze-guard for ELEMENTS tables

VENTA®
BY BÜCHIN DESIGN**SNEEZEGUARD_TRAVERSE_XS_ELEMENTS****Item No.: 66090**

[LxWxH]: 800 x 400 x 620 mm

weight: 9 kg

Suitable VENTA products

Item No.: 20106_STAGE_50_XS_ELEMENTS_1

Item No.: 20131_STAGE_80_XS_50_ELEMENTS_1

Item No.: 51004_STAGE_50_XS

Item No.: 51043_STAGE_50_XS_CHAFING-DISH_1

