

Sneeze-guard for STAGE tables



SNEEZEGUARD_STAGE_L_OS

Item No.: 66058

[LxWxH]: 1960 x 507 x 385 mm
 weight: 21 kg (1 x sneeze-guard on guest side)
 usable height: 290 mm

Base (feet)

material: steel, powder-coated
 profil: 15 x 15 mm

Sneeze-guard

[LxWxH]: 1948 x 318 x 6 mm (upper plate)
 [LxWxH]: 1948 x 150 x 6 mm (lateral sneeze-guard)
 material: safety glass (ESG)
 mounting: detachable with knurled nuts (M6)

Suitable VENTA products

Item No.: 51002_STAGE_50_L

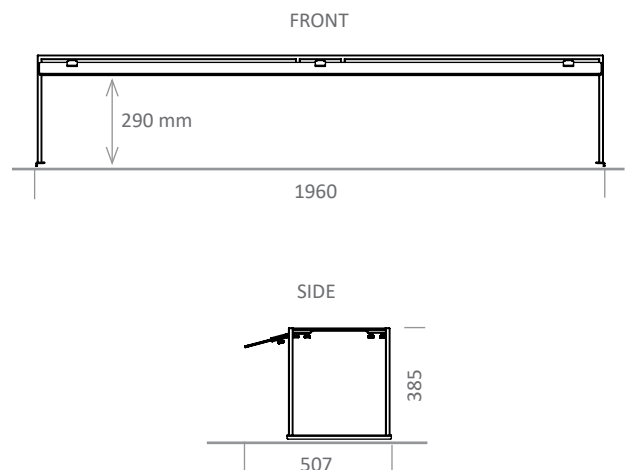
Warranty

Version with two sneeze-guards

SNEEZEGUARD_STAGE_L_DS

Item No.: 66059

[LxWxH]: 1960 x 654 x 385 mm
 weight: 25,5 kg (2 x sneeze-guard)



SneezeGuard for STAGE tables


 VENTA[®]
 BY BÜCHIN DESIGN
SNEEZEGUARD_STAGE_M_OS**Item No.: 66060**

[LxWxH]: 1800 x 507 x 385 mm

total weight: 19,35 kg

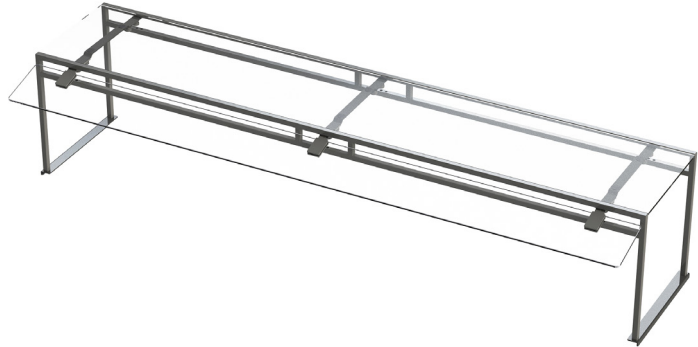
SNEEZEGUARD_STAGE_M_DS**Item No.: 66061**

[LxWxH]: 1800 x 620 x 385 mm

total weight: 23,6 kg (2 x sneezeGuard)

Suitable VENTA products

Item No.: 51003_STAGE_50_M

**SNEEZEGUARD_STAGE_S_164_OS****Item No.: 66062**

[LxWxH]: 1640 x 507 x 385 mm

total weight: 18 kg

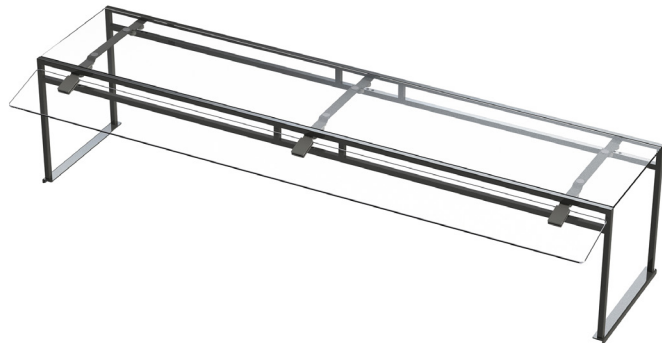
SNEEZEGUARD_STAGE_S_164_DS**Item No.: 66063**

[LxWxH]: 1640 x 654 x 385 mm

total weight: 21,9 kg (2 x sneezeGuard)

Suitable VENTA products

Item No.: 51017_STAGE_50_S_164

**SNEEZEGUARD_STAGE_S_OS****Item No.: 66064**

[LxWxH]: 1600 x 507 x 385 mm

total weight: 17,3 kg

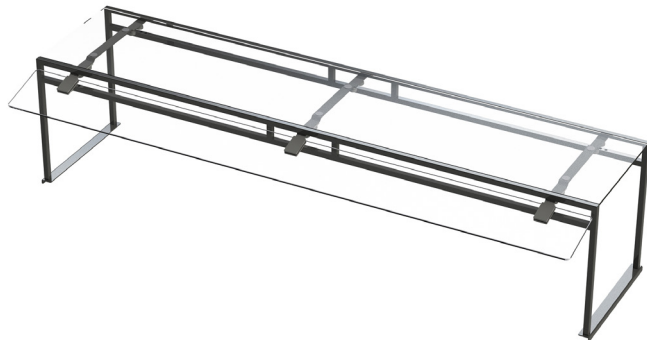
SNEEZEGUARD_STAGE_S_DS**Item No.: 66065**

[LxWxH]: 1600 x 654 x 385 mm

total weight: 21,2 kg (2 x sneezeGuard)

Suitable VENTA products

Item No.: 20104-20105_STAGE_50_S_ELEMENTS

**SNEEZEGUARD_STAGE_XS_OS****Item No.: 66066**

[LxWxH]: 800 x 507 x 385 mm

total weight: 9,6 kg

SNEEZEGUARD_STAGE_XS_DS**Item No.: 66067**

[LxWxH]: 800 x 654 x 385 mm

total weight: 11,7 kg (2 x sneezeGuard)

Suitable VENTA products

Item No.: 20106_STAGE_50_XS_ELEMENTS_1

