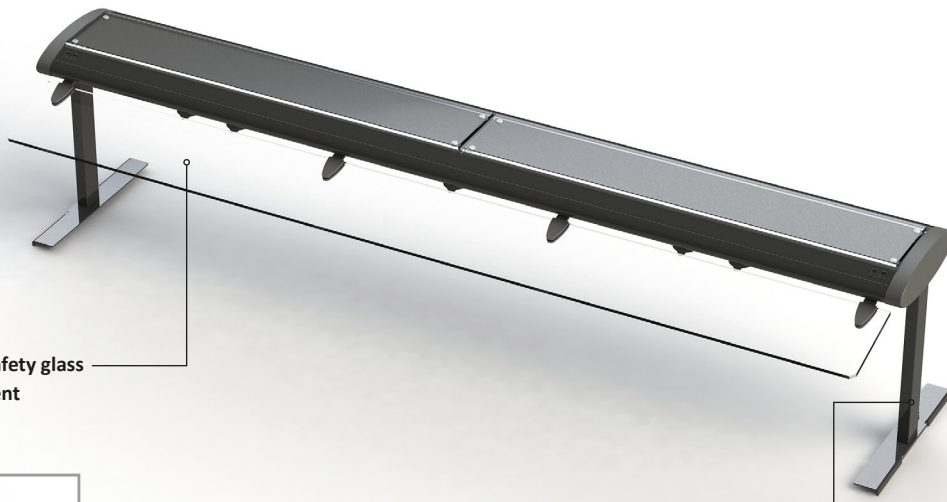
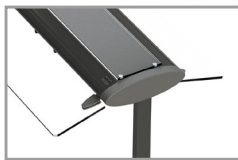


SneezeGuard with LED illumination



sneezeGuard: safety glass
color: transparent

base frame: steel, powder-coated
color: anthracite (100)



Version with two
sneezeGuards

color example 100

SNEEZEGUARD_BEER_SOLARIS_196

Item No.: 66028

[LxWxH]: 1958 x 500 x 440 mm
weight: 23 kg (1 x sneezeGuard on guest side)
usable height: 290 mm

Base (feet)

material: steel, powder-coated
profil: 50 x 25 mm

Light element

manufacturer: Beer
model: SOLARIS
power: 50 W / 230 V
features: to cold LED-light (3000K)
material: steel, powder-coated

Suitable VENTA products

Item No.: 51002_STAGE_50_L

Warranty

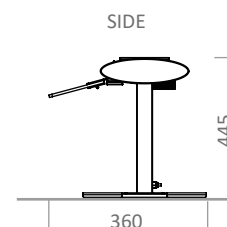
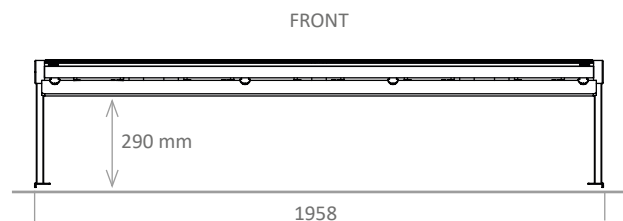
1 year

Version with two sneezeGuards

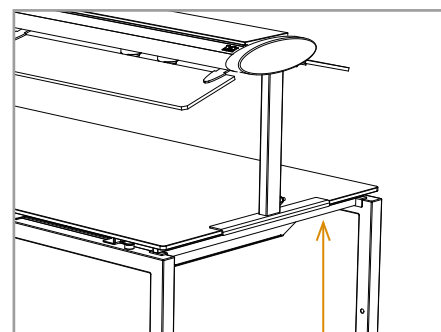
SNEEZEGUARD_BEER_SOLARIS_196_DS

Item No.: 66029

[LxWxH]: 1958 x 620 x 440 mm
weight: 27 kg (2 x sneezeGuard)



Additional item to stabilize the table-top



Heavy load strut
Item No.: 15066
Item No.: 15068

SneezeGuard with LED illumination

 VENTA[®]
 BY BÜCHIN DESIGN
SNEEZEGUARD_BEER_SOLARIS_180**Item No.: 66026**

[LxWxH]: 1800 x 500 x 440 mm

total weight: 20 kg

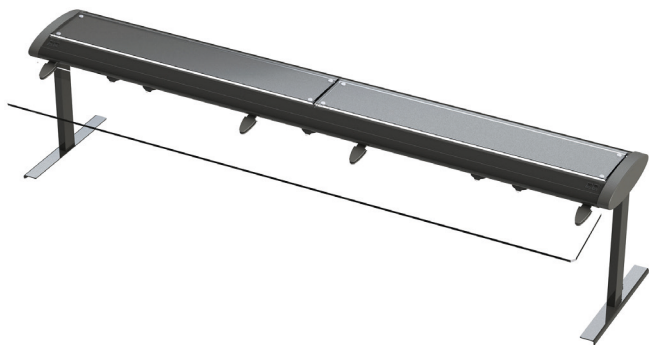
SNEEZEGUARD_BEER_SOLARIS_180_DS**Item No.: 66027**

[LxWxH]: 1800 x 620 x 440 mm

total weight: 24 kg (2 x sneezeGuard)

Suitable VENTA products

Item No.: 51003_STAGE_50_M

**SNEEZEGUARD_BEER_SOLARIS_164****Item No.: 66024**

[LxWxH]: 1618 x 500 x 440 mm

total weight: 17 kg

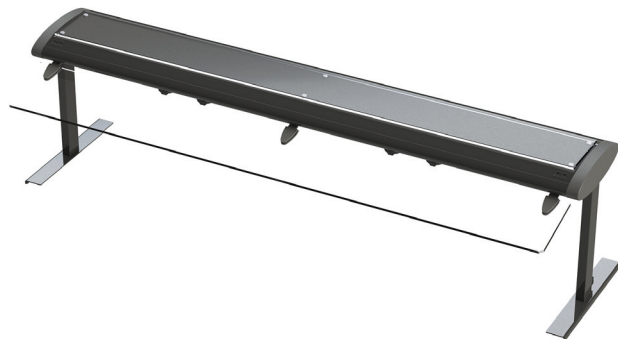
SNEEZEGUARD_BEER_SOLARIS_164_DS**Item No.: 66025**

[LxWxH]: 1618 x 620 x 440 mm

total weight: 20 kg (2 x sneezeGuard)

Suitable VENTA products

Item No.: 51017_STAGE_50_S_164

**SNEEZEGUARD_BEER_SOLARIS_160****Item No.: 66022**

[LxWxH]: 1618 x 500 x 440 mm

total weight: 17 kg

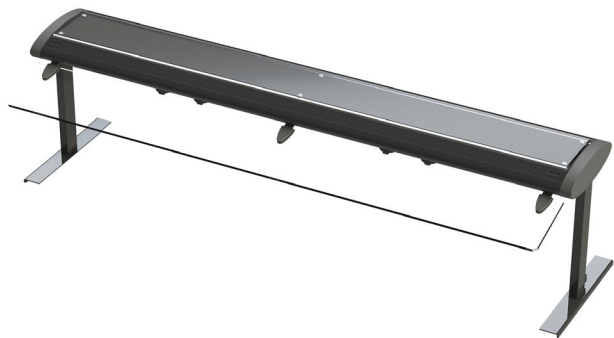
SNEEZEGUARD_BEER_SOLARIS_160_DS**Item No.: 66023**

[LxWxH]: 1618 x 620 x 440 mm

total weight: 20 kg (2 x sneezeGuard)

Suitable VENTA products

Item No.: 20104-20105_STAGE_50_S_ELEMENTS

**SNEEZEGUARD_BEER_SOLARIS_80****Item No.: 66015**

[LxWxH]: 800 x 500 x 440 mm

total weight: 10 kg

SNEEZEGUARD_BEER_SOLARIS_80_DS**Item No.: 66016**

[LxWxH]: 800 x 620 x 440 mm

total weight: 12 kg (2 x sneezeGuard)

Suitable VENTA products

Item No.: 20106_STAGE_50_XS_ELEMENTS_1

