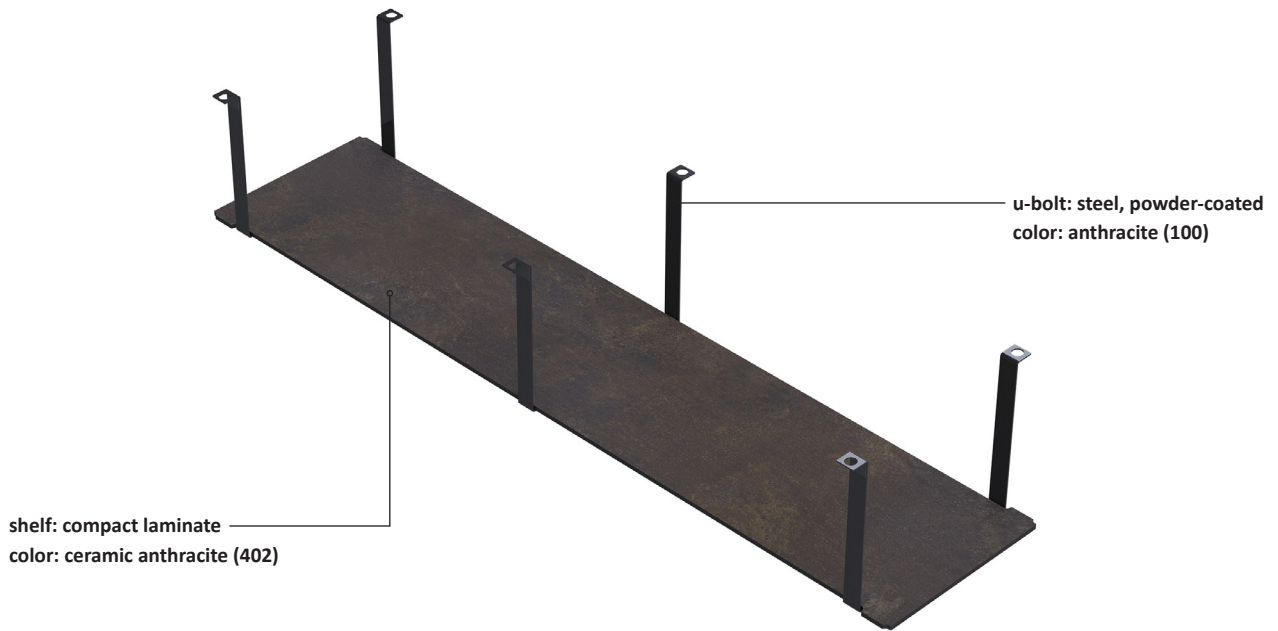


**SHELF – Suitable as a shelf for the STAGE tables**



color example 100|402

**SHELF\_STAGE\_50\_L**

Item No.: 50005

[LxWxH]: 1900 x 428 x 350 mm

total weight: 20 kg

**Shelf**

[LxWxH]: 1900 x 428 x 10 mm

material: compact laminate

color: ceramic anthracite

usable height: 290 mm

**Attachment**

connection to table frame: 3 x U-Bolt

material (U-Bolt): steel, powder-coated

color: anthracite

**Suitable VENTA products**

Item No.: 51002\_STAGE\_50\_L

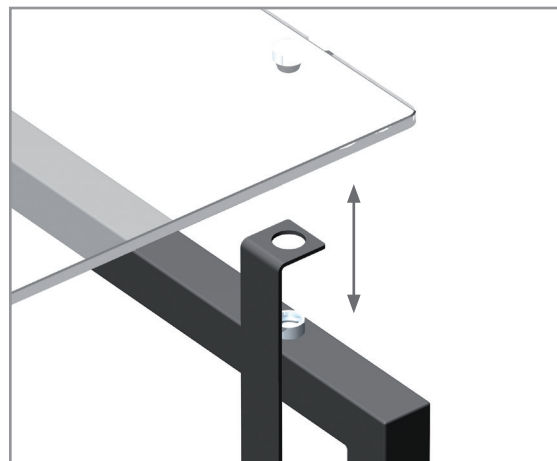
**Warranty**

1 year

**shelf for the STAGE table**



**connection between table and U-Bolt**



**SHELF – Suitable as a shelf for the STAGE tables**

 VENTA<sup>®</sup>  
 BY BÜCHIN DESIGN
**SHELF\_STAGE\_50\_M****Item No.: 50006**

[LxWxH]: 1740 x 428 x 350 mm

total weight: 18 kg

usable height: 290 mm

u-bolts: 3 x

**Suitable VENTA products**

Item No.: 51003\_STAGE\_50\_M

Item No.: 51042\_STAGE\_50\_M\_CHAFING-DISH\_2

**SHELF\_STAGE\_50\_S\_164****Item No.: 50023**

[LxWxH]: 1580 x 428 x 350 mm

total weight: 16,5 kg

usable height: 290 mm

u-bolts: 3 x

**Suitable VENTA products**

Item No.: 51017\_STAGE\_50\_S\_164

**SHELF\_STAGE\_50\_S****Item No.: 50021**

[LxWxH]: 1540 x 428 x 350 mm

total weight: 19 kg

usable height: 290 mm

u-bolts: 4 x

**Suitable VENTA products**

Item No.: 20104\_STAGE\_50\_S\_ELEMENTS\_2

Item No.: 20105\_STAGE\_50\_S\_ELEMENTS\_1

**SHELF\_STAGE\_50\_XS****Item No.: 50007**

[LxWxH]: 740 x 428 x 350 mm

total weight: 7,5 kg

usable height: 290 mm

u-bolts: 2 x

**Suitable VENTA products**

Item No.: 20106\_STAGE\_50\_XS\_ELEMENTS\_1

Item No.: 20131\_STAGE\_80\_XS\_50\_ELEMENTS\_1

Item No.: 51004\_STAGE\_50\_XS

Item No.: 51043\_STAGE\_50\_XS\_CHAFING-DISH\_1

