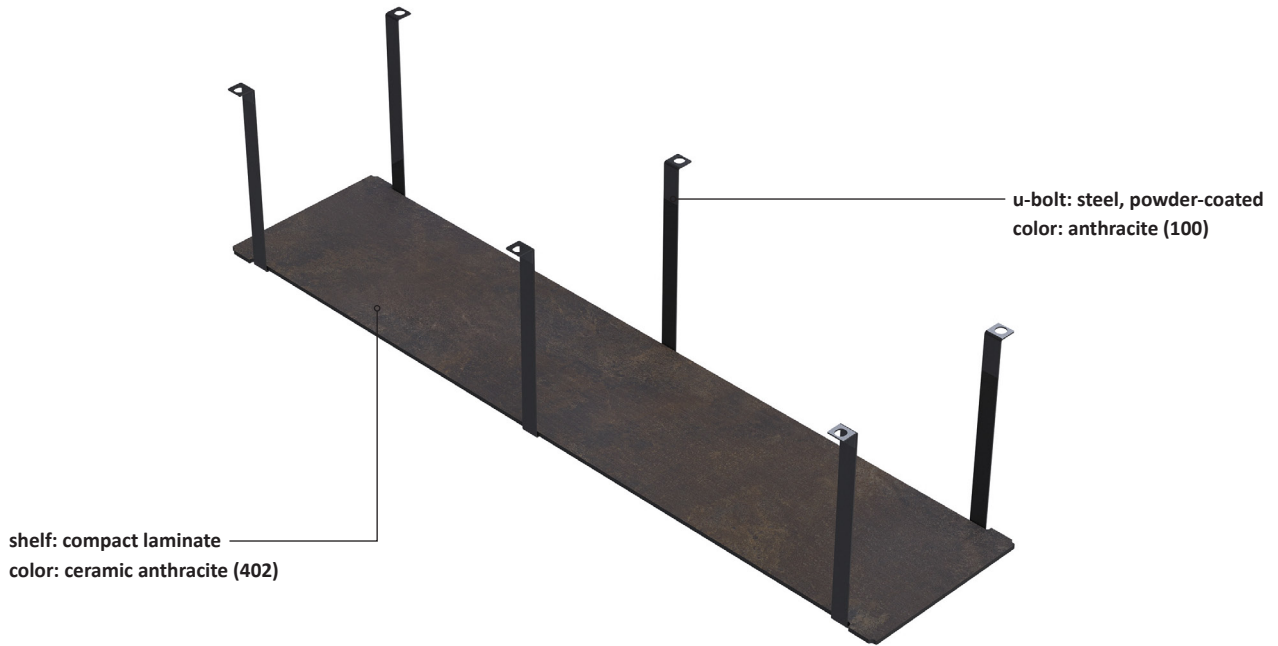


SHELF – Suitable as a shelf for the STAGE tables



color example 100|402

SHELF_47_STAGE_50_L

Item No.: 50044

[LxWxH]: 1900 x 428 x 470 mm

total weight: 20,3 kg

Shelf

[LxWxH]: 1900 x 428 x 10 mm

material: compact laminate

color: ceramic anthracite

usable height: 410 mm

Attachment

connection to table frame: 3 x U-Bolt

material (U-Bolt): steel, powder-coated

color: anthracite

Suitable VENTA products

Item No.: 38057_FRONTBLIND_APERTURE_STAGE_L

Item No.: 51002_STAGE_50_L

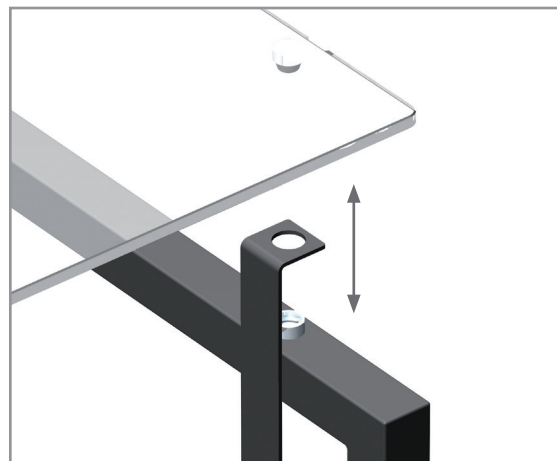
Warranty

1 year

SHELF_47 with Aperture



connection between table and U-Bolt



SHELF – Suitable as a shelf for the STAGE tables

 VENTA[®]
 BY BÜCHIN DESIGN
SHELF_47_STAGE_50_M**Item No.: 50045**

[LxWxH]: 1740 x 428 x 470 mm

total weight: 18,3 kg

usable height: 410 mm

u-bolts: 3 x

Suitable VENTA products

Item No.: 38058_FRONTBLIND_APERTURE_STAGE_M

Item No.: 51003_STAGE_50_M

Item No.: 51042_STAGE_50_M_CHAFING-DISH_2

**SHELF_47_STAGE_50_S_164****Item No.: 50046**

[LxWxH]: 1580 x 428 x 470 mm

total weight: 16,8 kg

usable height: 410 mm

u-bolts: 3 x

Suitable VENTA products

Item No.: 38059_FRONTBLIND_APERTURE_STAGE_S_164

Item No.: 51017_STAGE_50_S_164

**SHELF_47_STAGE_50_S****Item No.: 50047**

[LxWxH]: 1540 x 428 x 470 mm

total weight: 19,4 kg

usable height: 410 mm

u-bolts: 4 x

Suitable VENTA products

Item No.: 20104_STAGE_50_S_ELEMENTS_2

Item No.: 20105_STAGE_50_S_ELEMENTS_1

Item No.: 38060_FRONTBLIND_APERTURE_STAGE_S

**SHELF_47_STAGE_50_XS****Item No.: 50048**

[LxWxH]: 740 x 428 x 470 mm

total weight: 7,8 kg

usable height: 410 mm

u-bolts: 2 x

Suitable VENTA products

Item No.: 20106_STAGE_50_XS_ELEMENTS_1

Item No.: 20131_STAGE_80_XS_50_ELEMENTS_1

Item No.: 38061_FRONTBLIND_APERTURE_STAGE_XS

Item No.: 51004_STAGE_50_XS

Item No.: 51043_STAGE_50_XS_CHAFING-DISH_1

