

## foldable cocktail table without lower-tray

VENTA<sup>®</sup>  
BY BÜCHIN DESIGNtable-top: compact laminate  
color: ceramic anthracite (402)base frame: steel, powder-coated  
color: anthracite (100)

color example 100|402

**Item No.: 23009**

[LxWxH]: 700 x 700 x 1050 mm

total weight: 17,3 kg (glass)

total weight: 12,8 kg (compact laminate)

**Base**

foldable base frame with side holder

material: steel, powder-coated

profile: 30 x 30 mm

weight: 7 kg

**Table-top**

[LxWxH]: 700 x 700 x 10 mm

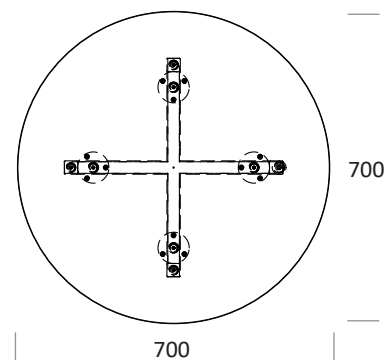
material: compact laminate 10 mm (5,5 kg),

or safety glass 10 mm (10 kg)

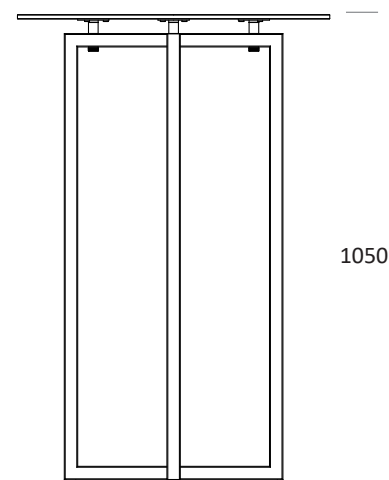
underside with 4 x connectors

**Warranty**

1 year

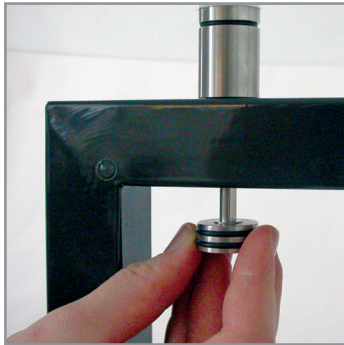


700

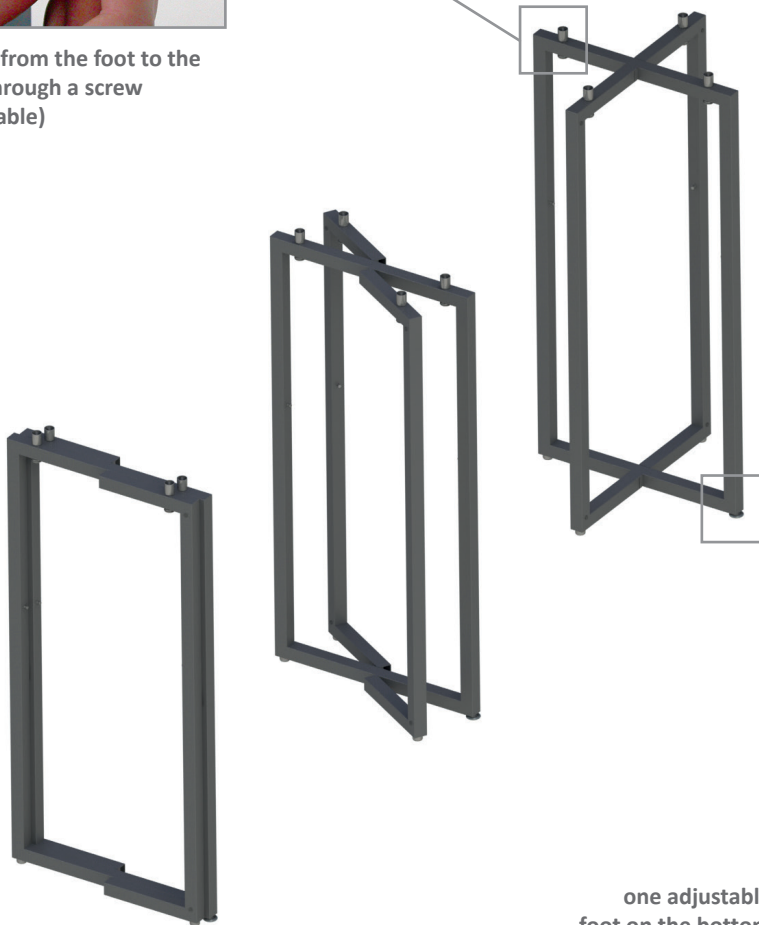


1050

foldable cocktail table without lower-tray



connection from the foot to the table-top through a screw (not removable)



one adjustable foot on the bottom of the base frame

Item No.: 99101

[LxWxH]: 1070 x 555 x 920 mm

Trolley for 10 x SET\_70\_without\_lower\_tray (max. load)

weight (empty): 40 kg

weight (full): 213 kg (glass)

