

## foldable cocktail table without lower-tray

**VENTA**  
 BY BÜCHIN DESIGN


color example 100|402

**Item No.: 23018**

[LxWxH]: 1000 x 1000 x 1050 mm  
total weight: 20,4 kg (compact laminate)

**Base**

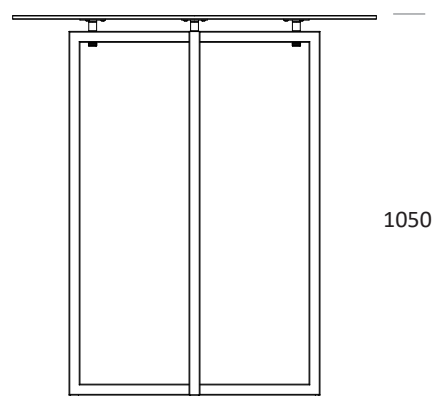
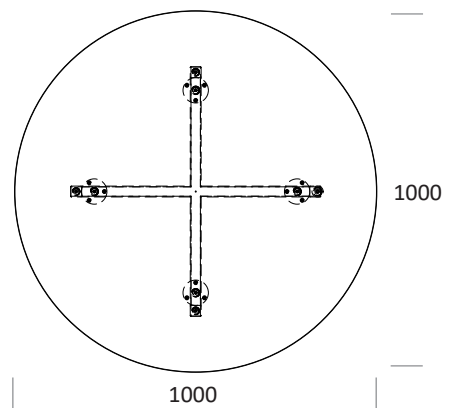
foldable base frame with side holder  
material: steel, powder-coated  
profile: 30 x 30 mm  
weight: 8,8 kg

**Table-top**

[LxWxH]: 1000 x 1000 x 10 mm  
material: compact laminate 10 mm (11,6 kg),  
underside with 4 x connectors

**Warranty**

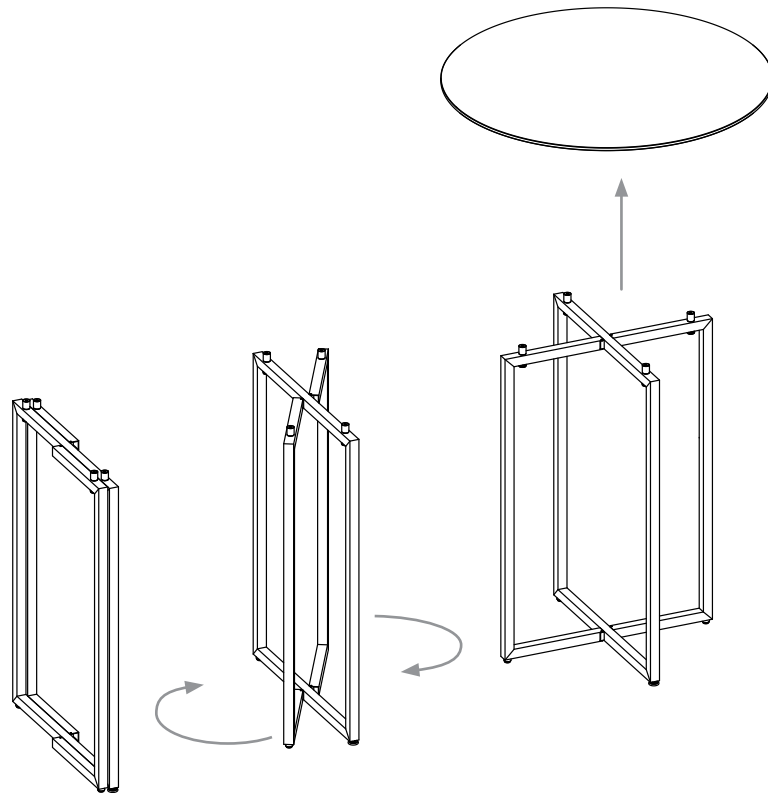
1 year



foldable cocktail table with lower-tray



folding system



connection between table-top and base



Item No.: 99164

[LxWxH]: 1282 x 764 x 670 mm (full)

Trolley for 5 x cocktail table SET\_100 (max. load)

weight (empty): 90 kg

weight (full): 192 kg

