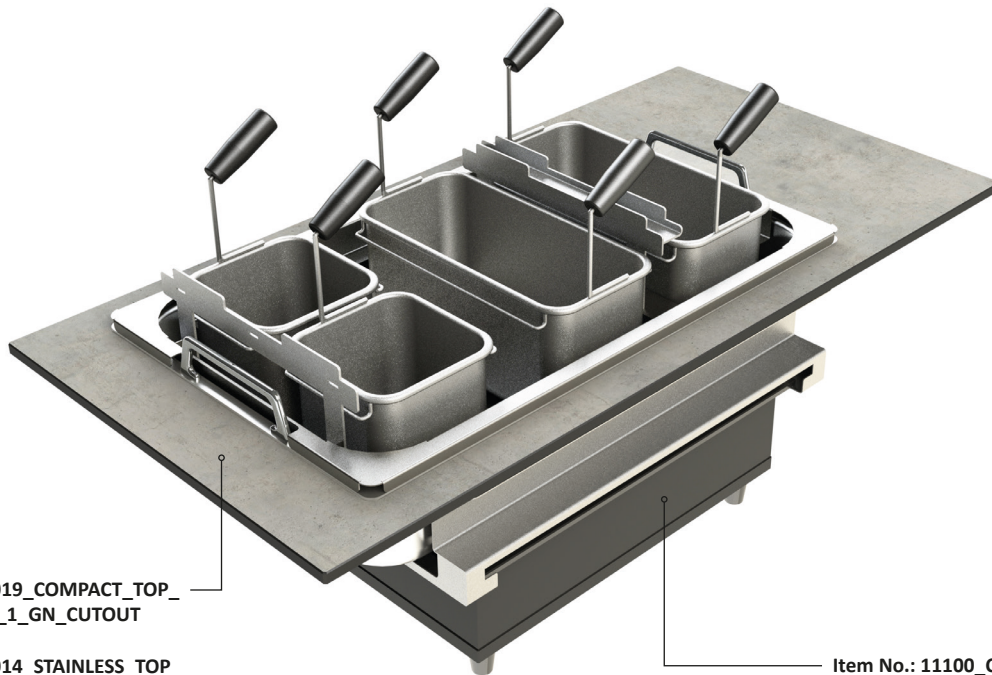


Stainless steel 1/1 GN pasta set



Item No.: 20019_COMPACT_TOP_ELEMENTS_1_1_GN_CUTOUT
or
Item No.: 20014_STAINLESS_TOP_ELEMENTS_1_1_GN_CUTOUT or

Item No.: 11100_Cook_Induction
(GGM GASTRO / 3.5 kW)

Item No.: 20022

total weight: 16,38 kg

Suitable VENTA products

Item No.: 11100_Cook_Induction (GGM GASTRO / 3.5 kW)

Item No.: 12310_GN_1_6_Pasta_Basket_RIEBER

Item No.: 12311_GN_1_3_Pasta_Basket_RIEBER

Item No.: 12314_Thermoplate_handles_1_1_GN_100_RIEBER

Item No.: 12315_cooker_lid_1_1_with_handle_recess_RIEBER

Item No.: 12318_Pasta-Top

Item No.: 20021_metal_housing_3,5kW_COOK_INDUCTION

Item No.: 20014_STAINLESS_TOP_ELEMENTS_1_1_GN_CUTOUT

Item No.: 20019_COMPACT_TOP_ELEMENTS_1_1_GN_CUTOUT

Pasta top frame

manufacturer: VENTA by Büchin Design

Noodle baskets

manufacturer: RIEBER®

Classification

DIN EN 1008-3 | DIN EN 631

approved for the food industry

Induction unit

manufacturer: GGMGastro®

Warranty

1 year

NECESSARY EQUIPMENT**Item No.: 11100**

power: 3500 W

waterproof: IPX3

voltage: 220-240 V | 50 Hz

current: 16 A

remote control: wired

Item No.: 20014

[LxWxH]: 796 x 396 x 10 mm

total weight: 3,6 kg

material: stainless steel Aisi 1.4301

surface: brilliant brushed

classification: DIN EN 1008-3

or

Item No.: 20019

[LxWxH]: 796 x 396 x 10 mm

total weight: 2,2 kg

material: 10 mm compact laminate,

classification:

DIN EN 13501-1_B-s1, d0;

DIN EN 438-4;

DIN EN 438-7 Flammex Euroclass B



Set contains following individual parts:

Item No.: 12315
 1x RIEBER®
 lid 1/1 GN with handle
 stainless steel Aisi 1.4301
 brilliant brushed surface



Item No.: 12310
 2x RIEBER®
 pasta baskets 1/6 GN
 stainless steel Aisi 1.4301
 brilliant brushed surface

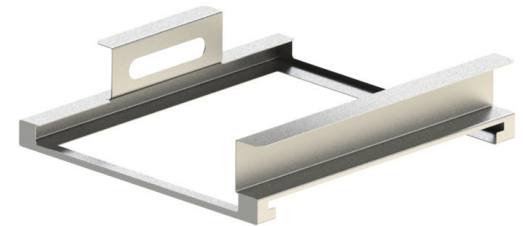


Item No.: 12318
 pasta top frame 1/1 GN
 by VENTA
 stainless steel Aisi 1.4301
 brilliant brushed surface

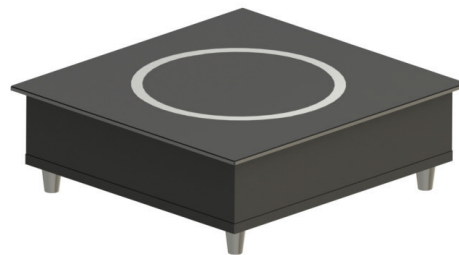
Item No.: 12311
 2x RIEBER®
 pasta baskets 1/3 GN
 stainless steel Aisi 1.4301
 brilliant brushed surface



Item No.: 12314
 1x RIEBER®
 THERMOPLATE® 100
 1/1 GN with handles
 nano brushed surface
 stainless steel Aisi 1.4301
 brilliant brushed surface



Item No.: 20021
 1x metal housing for GGM
 COOK INDUCTION 3,5 kW
 stainless steel Aisi 1.4301
 brilliant brushed surface



Item No.: 11100
 1x GGM COOK INDUCTION
 3,5 kW
 stainless steel Aisi 1.4301
 brilliant brushed surface

Item No.: 11773
 1x metal housing for GGM
 COOK INDUCTION remote
 stainless steel Aisi 1.4301
 brilliant brushed surface



Necessary equipment:

Item No.: 20014_STAINLESS_TOP_ELEMENTS_1/1_GN_CUTOUT
 stainless steel Aisi 1.4301
 or
 Item No.: 20019_COMPACT_TOP_ELEMENTS_1_1_GN_CUTOUT
 compact laminate board 10 mm

