

INDUCTION-COOK for cooking + warming



INDUCTION GLASS
SCHOTT CERAN®
color: black



housing:
stainless steel Aisi 1.4301
brilliant brushed surface

Item No.: 20037

[LxWxH]: 796 x 396 x 83 mm
total weight: 10 kg

Cooking plate

dimensions: 290 x 510 mm
material/table-top: safety glass
manufacturer: SCHOTT CERAN®
glass bottom side: black coated

Housing

stainless steel 1.4301
with brilliant brushed surface

Classification

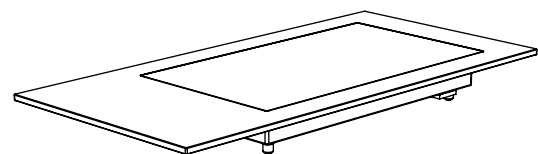
DIN EN 1008-3
approved for the food industry

Technicals

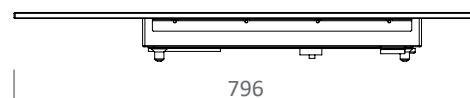
heating: 2 x INDUCTION-COOK fields
regulation: controls on touch display
cooking zones: 2 different zones,
1x 260 mm pot size on rear zone,
and 1 x 180 mm pot size on front zone
cooking Levels: power mode 3,0 kW,
power level 1-9, max 1,8 kW (rear cooking zone),
max 1,3 kW (front cooking zone)
connected value: 1/N/PE AC 220 V - 240 V,
50-60 Hz, max. 3.0 kW
cable: L = 1,5 m, schuko type F on cold device
socket type C19
technology: induction

Warranty

1 year

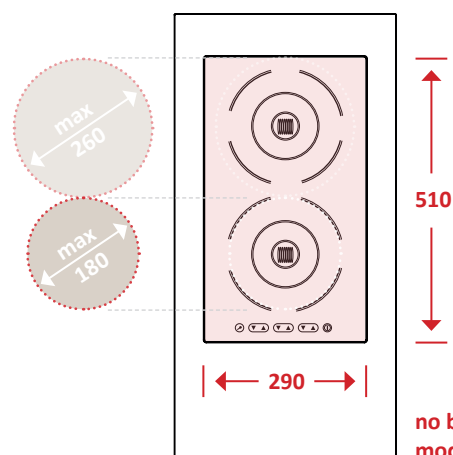


SIDE



796

TOP



no bridge
mode available

FRONT



396

83