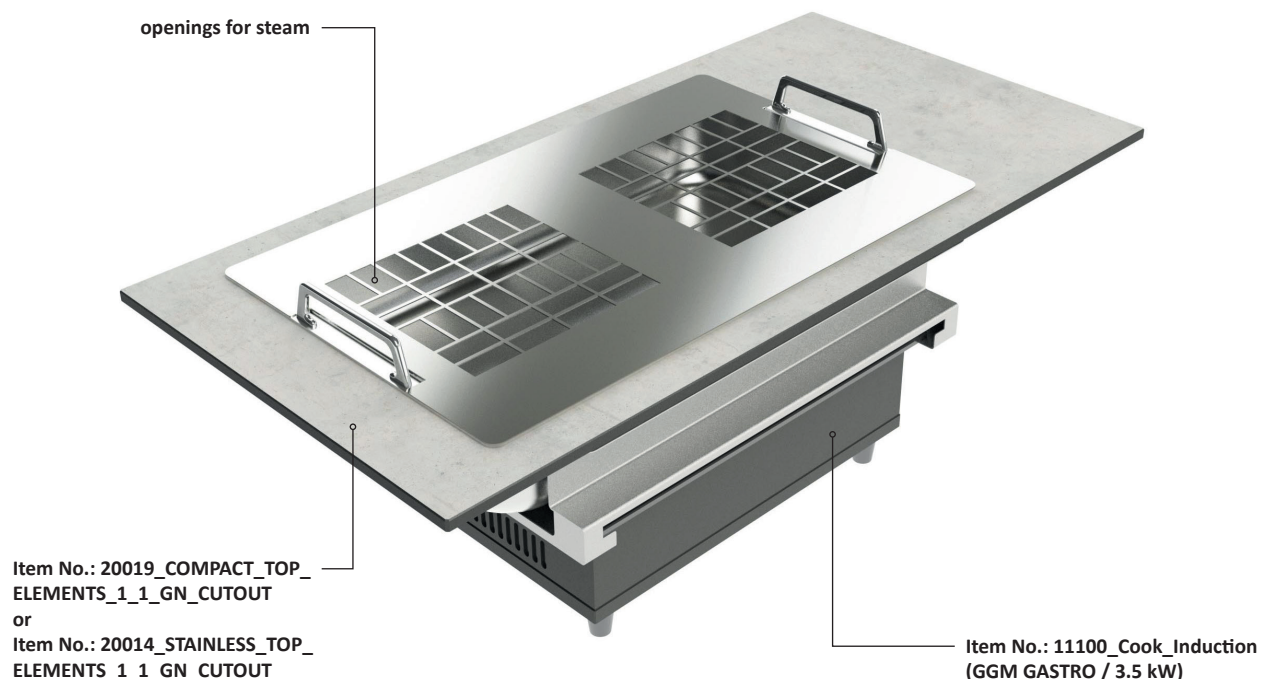


Stainless steel 1/1 GN DIM-SUM SET

**Item No.: 20034**

total weight: 14,0 kg

Suitable VENTA products

Item No.: 11100_Cook_Induction (GGM GASTRO / 3.5 kW)

Item No.: 12306_soup_station_Chafing-Dish_ECO_SPRING

Item No.: 12314_Thermoplate_handles_1_1_GN_100_RIEBER

Item No.: 12315_cooker_lid_1_1_with_handle_recess_RIEBER

Item No.: 20014_STAINLESS_TOP_ELEMENTS_1_1_GN_CUTOUT

Item No.: 20019_COMPACT_TOP_ELEMENTS_1_1_GN_CUTOUT

Item No.: 20021_metal_housing_3,5kW_COOK_INDUCTION

Dim-sum plate

manufacturer: VENTA by Büchin Design

Induction unit

manufacturer: GGMGastro®

Thermoplate

manufacturer: RIEBER®

swiss ply material

Classification

DIN EN 1008-3 | DIN EN 631

approved for the food industry

Warranty

1 year

NECESSARY EQUIPMENT**Item No.: 12301**

electric heating unit

manufacturer: SPRING®

power: 800 W

voltage: 220-240 V / 50 Hz

current: 16 A

remote control: wired

Item No.: 20014

[LxWxH]: 796 x 396 x 10 mm

total weight: 3,6 kg

material: stainless steel Aisi 1.4301

surface: brilliant brushed

classification: DIN EN 1008-3

Item No.: 20019

[LxWxH]: 796 x 396 x 10 mm

total weight: 2,2 kg

material: 10 mm compact laminate,

classification:

DIN EN 13501-1_B-s1, d0;

DIN EN 438-4;

DIN EN 438-7 Flammex Euroclass B

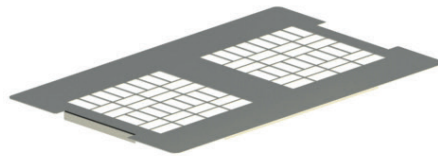
Set contains following individual parts:



Item No.: 12315
 1 x RIEBER®
 lid 1/1 GN with handle
 stainless steel Aisi 1.4301
 brilliant brushed surface



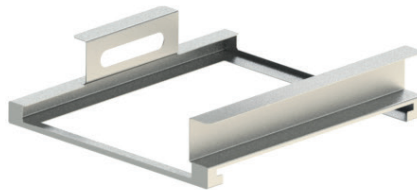
Item No.: 12306
 1 x DIM-SUM plate 1/1 GN
 by VENTA®
 stainless steel Aisi 1.4301
 brilliant brushed surface



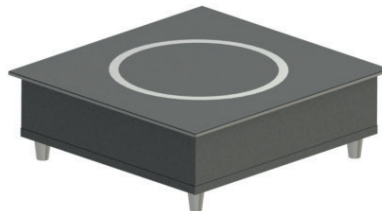
Item No.: 12314
 1 x RIEBER®
 THERMOPLATE 100
 1/1 GN with handles
 nano brushed surface
 stainless steel Aisi 1.4301
 brilliant brushed surface



Item No.: 20021
 1 x Metal housing for GGM®
 COOK INDUCTION 3,5 kW
 stainless steel Aisi 1.4301
 brilliant brushed surface



Item No.: 11100
 1 x GGM®
 COOK INDUCTION 3,5 kW
 stainless steel Aisi 1.4301
 brilliant brushed surface



Item No.: 11773
 1 x Metal housing for GGM®
 COOK INDUCTION remote
 stainless steel Aisi 1.4301
 brilliant brushed surface



Necessary equipment:

Item No.: 20014_STAINLESS_TOP_ELEMENTS_1/1_GN_CUTOUT
 stainless steel Aisi 1.4301
 or
 Item No.: 20019_COMPACT_TOP_ELEMENTS_1_1_GN_CUTOUT
 compact laminate board 10 mm

